



# Architect and Engineer Specifications

10901 Hampshire Ave. So., Minneapolis, Minnesota 55438-2385 U.S.A.  
Telephone: (800) 447-2257 or (952) 944-9050 • FAX: (800) 421-3839 or (952) 944-1546

© January 2001 Winsted Corporation

## Model: MULTIMEDIA DESKS

### 1) General Description

- 1.1 Multi-tiered desks and workstations. See Appendix "A" for typical styles and measurements.
- 1.2 The contractor shall supply desk/workstation which supports specified monitors, computers and multimedia systems.
- 1.3 The system shall be comprised of ample work surface and monitor riser of the appropriate height for line of sight. Space for computer CPU's or system towers shall exist in a rack cabinet that is free standing and can be placed next to the desk. (See Section A for general rack specifications.)
- 1.4 The system shall have a minimum 1" (25mm) thick Apple-core or MDF, with high pressure plastic laminated work surface and the work surface shall be not less than 43" (1092mm) deep overall and shall include a 18" (457mm) deep riser.
- 1.5 The system shall have a cable management system that provides logical, discrete routing and splitting of video/monitor cords.
- 1.6 Legs shall have the capability of leveling.

### 2) Standards

- 2.1 The system shall comply with the Electronic Industry Association's (E.I.A.) specifications for rack mounting ANSI/EIA standard RS-310.

### 3) Drawings

- 3.1 If necessary, the contractor shall supply five sets of scaled drawings for each desk showing location of all the specified electronics in isometric view in addition to a room plan containing top & front views.
- 3.2 The specification of sizes and dimensions shown in the drawings shall have a tolerance of not more than +/- 0.062" (1.6mm).

### 4) Pre-Engineered Construction

Rack cabinets that are a part of the desk or workstation system shall be:

- 4.1 Of a pre-engineered modular construction, i.e: constructed from a series of independent sectional compartments.

- 4.2 Available from a pre-defined set of manufacturers model numbers.
- 4.3 In common production for at least two years prior to the date of submission.
- 4.4 Capable of supporting equipment with E.I.A. standard 19" (483mm) width E.I.A. dimensions.
- 4.5 Constructed of a steel superstructure framework with attachable side panels in steel or wood that matches or compliments the desk, and also have a matching laminated top surface.

### 5) Materials

- 5.1 Desk worksurface, rack cabinet tops, and monitor risers shall be made of 1" thick (25mm) Apple-core, laminated material.
- 5.2 Desk legs and framework shall be made of 18 gauge (.047") steel.
- 5.3 All components shall be shipped either fully assembled or knocked down to save shipping costs. All assembly must be possible of on site construction without the need of welding or carpentry work.
- 5.4 All wooden components (such as vertical uprights) are to be supplied with a high pressure laminate covering the 1" (25mm) Apple-core or MDF.

### 6) Optional Accessories

- 6.1 A full range of optional accessories are available including but not limited to:
- 6.2 CPU tower support wells, paper trays, power supplies, electrical strips, keyboard pullouts, cup holders and chairs.

### 7) Instructions

- 7.1 Fully detailed assembly instructions in the English language shall be supplied with both written and pictorial descriptions for each item.

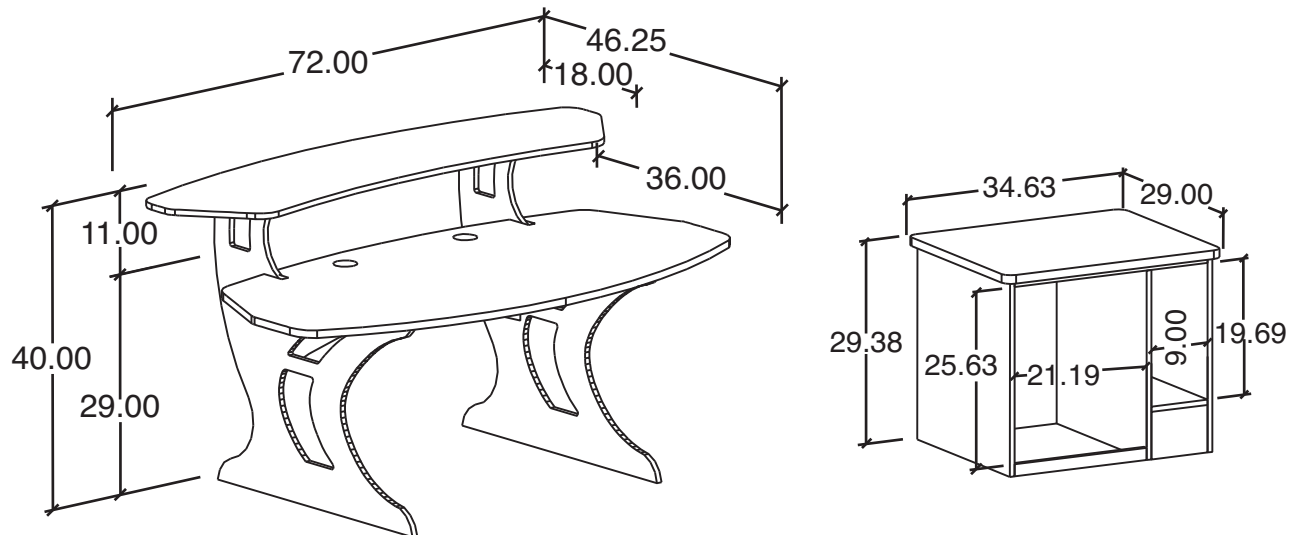
# Architect and Engineer Specifications

## 8) Packaging

8.1 Each component shall be independently marked and packed into double or triple ply corrugated outer cartons and shall be suitable for storage and shipping to site without damage.

## 9) Warranty

9.1 The manufacturer shall provide a written ten year guarantee against defects and workmanship.



Appendix A • Model E4800 • Symphony Desk