



Architect and Engineer Specifications

10901 Hampshire Ave. So., Minneapolis, Minnesota 55438-2385 U.S.A.
Telephone: (800) 447-2257 or (952) 944-9050 • FAX: (800) 421-3839 or (952) 944-1546

© January 2001 Winsted Corporation

Model: **DIGITAL DESKS**

1) General Description

- 1.1 Digital Desks. See Appendixes "A", "B" and "C" for typical styles and measurements.
- 1.2 The contractor shall supply desk which supports specified monitors, computers and multimedia systems.
- 1.3 The system shall be comprised of ample work surface and sufficient monitor risers adjustable to the appropriate height. Space for computer CPU's or system towers shall exist in a rack cabinet (see Section A for general rack specifications) or a method shall be provided to mount such equipment under the desk's worksurface.
- 1.4 The system shall have a minimum 1" (25mm) thick MDF core laminated worksurface and the work surface should include a rubber contoured edging to act as an edge guard.
- 1.5 The contour edging shall offer a method of color accenting by pressing the users choice of various vinyl colored cords into predesigned grooves in the contoured edging.
- 1.6 The monitor risers shall be at least 20" (508mm) deep and capable of adjusting from 3-1/2" to 10-1/2" (89 to 267mm) in 1/2" (13mm) increments.
- 1.7 The desks shall have a raceway cable management system that provides logical, discrete routing of video/monitor cables. Wide channel support legs shall also provide cable routing.
- 1.8 Legs shall have the capability of leveling.

2) Standards

- 2.1 All racks within the system shall comply with the Electronic Industry Association's (E.I.A.) specifications for rack mounting ANSI/EIA standard RS-310.

3) Drawings

- 3.1 If necessary, the contractor shall supply five sets of scaled drawings for each desk and/or rack cabinet showing location of all the specified electronics in isometric view in addition to a room plan containing top and front views.
- 3.2 The specification of sizes and dimensions shown in the drawings shall have a tolerance of not more than +/- 0.062" (1.6mm).

4) Pre-Engineered Construction

- 4.1 Desk components shall be of a pre-engineered steel and wood construction.
- 4.2 Be available from a pre-defined set of manufacturers model numbers
- 4.3 Have been in common production for at least two years prior to the date of submission.
- 4.4 Desks shall be constructed of a steel superstructure framework with a 1" thick (25mm) laminated medium density core top surface that matches or complements the frame.
- 4.5 Monitor riser support legs shall extend from riser to the floor for strength and balance.
- 4.6 Models with a variety of widths including those with a corner configuration as well as those with drop down keyboards shall be available.

5) Materials

- 5.1 Desk worksurface, rack cabinet tops, and monitor risers shall be made of 1" (25mm) thick medium density core, laminated material.
- 5.2 Desk legs and framework shall be made of 14 gauge (.074") steel.
- 5.3 Steel frames shall be of pre-welded and formed construction. All exposed welds shall be filed smooth and sharp corners eliminated.
- 5.4 All components shall be shipped either fully assembled or knocked down to save shipping costs. All assembly must be possible of on site construction without welding or carpentry work.

Architect and Engineer Specifications

6) Finish and Color

- 6.1 All steel frame components, including cpu tower supports, pullout keyboard shelves and accessories shall have a zinc oxide wash primer with a black baked-on textured enamel paint finish. Standard worksurfaces and monitor risers are black granite laminate.
- 6.2 A wide variety of laminate textures and colors are available for custom finishing (customer/architect specifications).

7) Optional Accessories

- 7.1 A full range of optional accessories are available including but not limited to:
- 7.2 CPU tower support wells, paper trays, power supplies, electrical strips, keyboard pullouts, cup holders, colored accent trim inserts, chairs, and foot rests.

8) Instructions

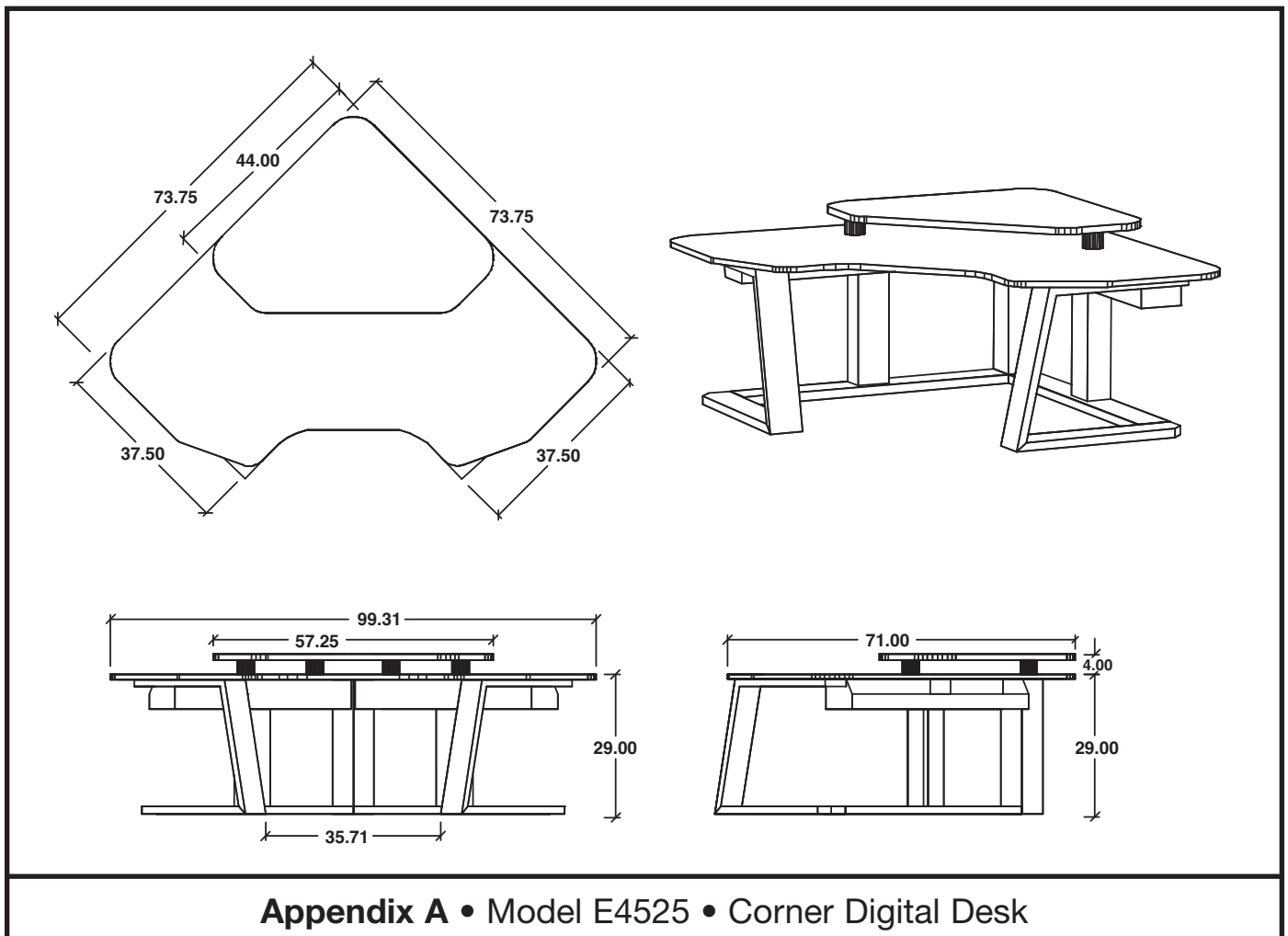
- 8.1 Fully detailed assembly instructions in the English language shall be supplied with both written and pictorial descriptions for each item/model numbered component.

9) Packaging

- 9.1 Each component part number shall be independently marked and packed into double or triple ply corrugated outer cartons and shall be suitable for storage and shipping to site without damage.

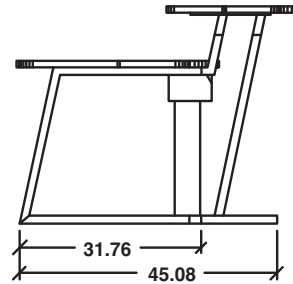
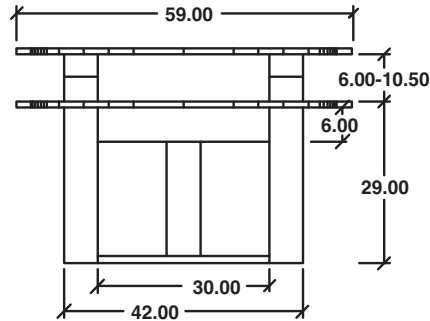
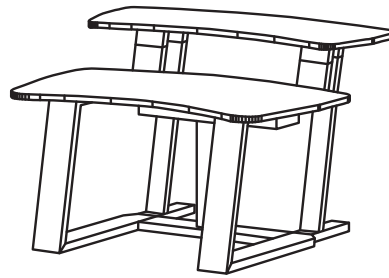
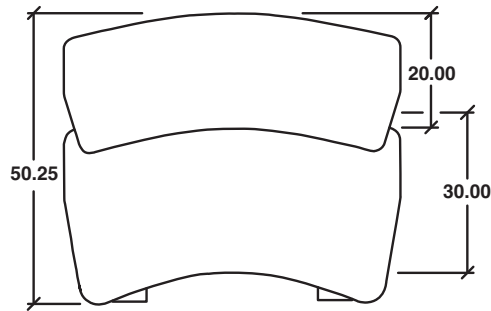
10) Warranty

- 10.1 The manufacturer shall provide a written ten year guarantee against defects of all component parts, material, and workmanship under normal use.

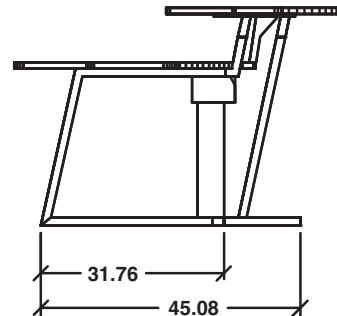
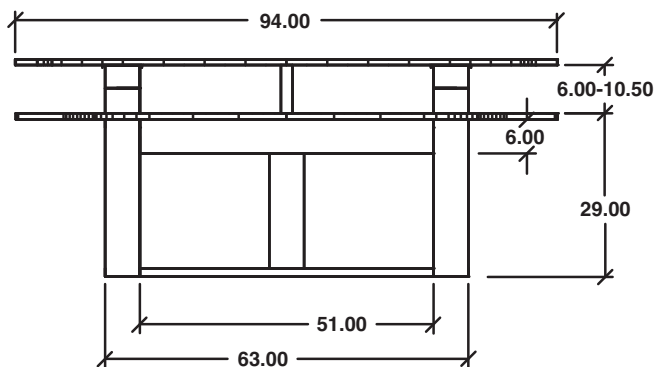
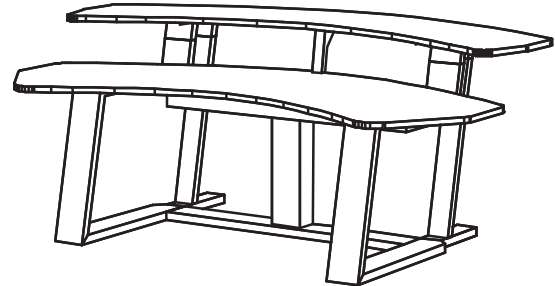
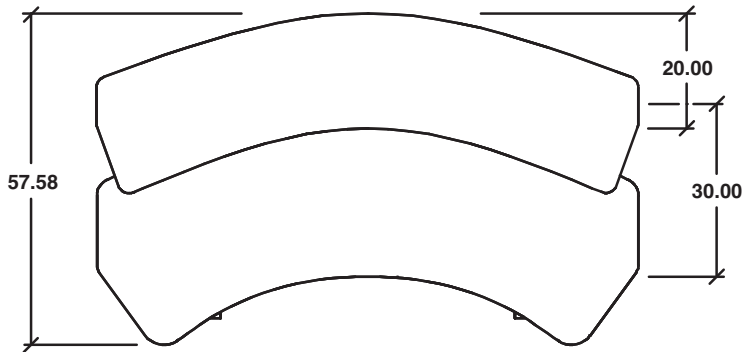


Appendix A • Model E4525 • Corner Digital Desk

Architect and Engineer Specifications



Appendix B • Model E4605 • 59"W Digital Desk



Appendix C • Model E4606 • 94"W Digital Desk