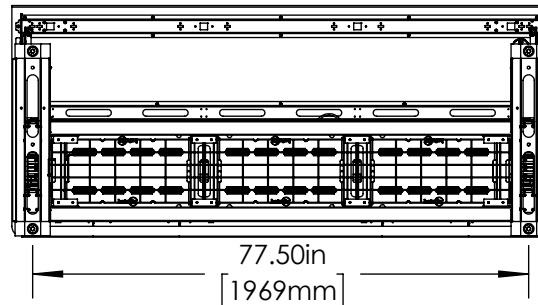
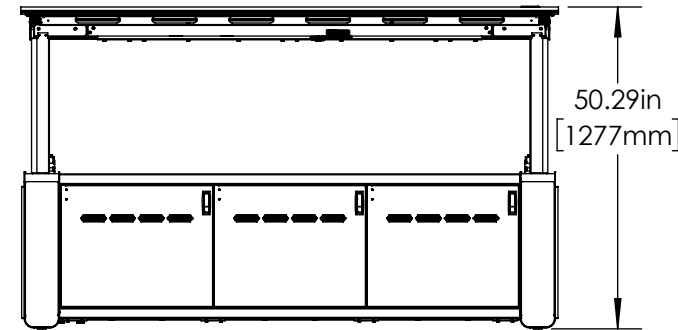


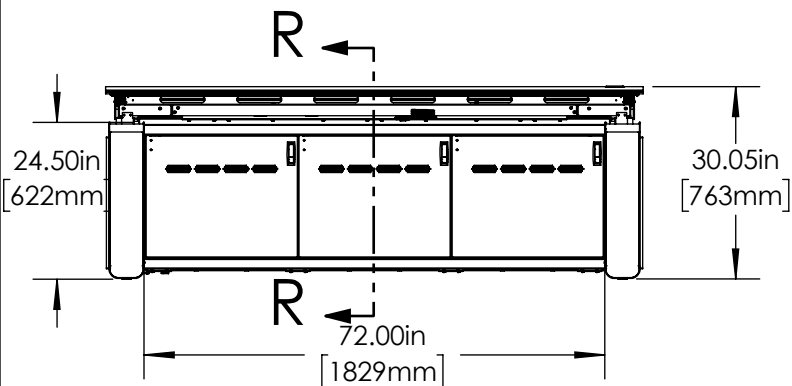
Pinnacle 84" Top View



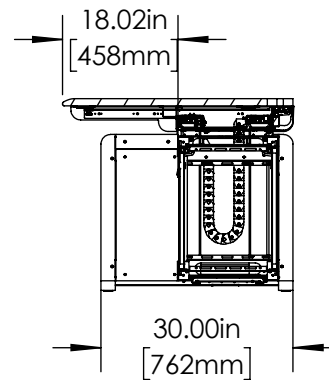
Pinnacle 84" Bottom View



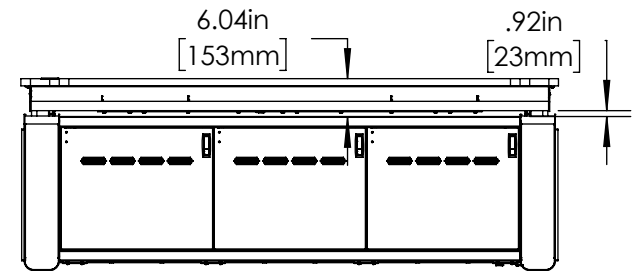
Pinnacle 84" Front View-Standing



Pinnacle 84" Front View-Sitting



Pinnacle 84" Side View-Sitting
SECTION R-R



Pinnacle 84" Back View-Sitting



Pinnacle 84", Closed Base Ht. Adj

SCALE - NTS

The copyright of this drawing and design is vested solely in the Winsted Corporation. Reproduction of the document, in whole or in part, is prohibited other than with the express permission of the above company.

Sheet

1 / 1