



MODEL: SPECTRUM-2 - CONSOLES

1) GENERAL DESCRIPTION

- 1.1 Spectrum Consoles. See Appendix "A" - "C" for typical styles and measurements.
- 1.2 The contractor shall supply a system capable of supporting specified electronics.
- 1.3 The system shall be comprised of vertical and horizontal laminated panels with EIA standard tapped front rack rails mounted in the upper sloped section and below the work surface. Panels shall be assembled together to form an operator console.
- 1.4 The system shall have a minimum 1-1/8" (29mm) thick industrial grade 45 lb. particle board core work surface with a protective rubber Safeguard T-edge. The work surface shall be 20" (508mm) deep overall and finished with a high pressure laminate on top and warp resistant backer on the bottom.
- 1.5 Sloped rack mount sections above the work surface shall provide 7" (4RU) of rack space sloped 15 degrees away from the operator for ergonomic sight lines.

2) STANDARDS

- 2.1 All optional racks integrated with the console shall comply with Electronic Industry Association (E.I.A.) specifications for rack mounting ANSI/E standard RS-310.
- 2.2 All monitor mounts used with the integrated Versa-Trak mounting system are compliant with the Mounting Interface Standard established by the Video Electronics Standards Association (VESA).

3) DRAWINGS

- 3.1 The contractor shall supply five sets of scaled drawings for each console assembly showing the location of all the specified electronics in isometric view in addition to a plan (top) and front views.
- 3.2 The specification of sizes and dimensions shown in the drawings shall have a tolerance of not more than +/- 0.062" (1.6mm).

4) MODULAR PRE-ENGINEERED CONSTRUCTION

All components within the system shall be:

- 4.1 Of a pre-engineered modular construction, i.e: constructed from a series of independent sectional compartments.
- 4.2 Available from a pre-defined set of manufacturers model numbers.
- 4.3 In common production for at least one year prior to the date of submission.

5) COMPONENTS

5.1 VERTICAL CONSOLE PANELS

Shall be constructed of 3/4" or 1" black melamine interior and high pressure laminate exterior with a minimum of .5mm PVC edges. 1/4-20 hex base leveling glides shall be provided on vertical panels. Intermediate vertical panels shall include cable grommets and E.I.A. 19" tapped rack rails in the upper slope and lower front vertical sections.

5.2 HORIZONTAL CONNECTING PANELS

Shall be constructed of 3/4" black melamine interior and high pressure laminate exterior with a minimum of .5mm PVC edges. Vent grommets shall be provided on the top panels.

5.3 WORK SURFACE

Shall be a minimum 1-1/8" (29mm) thick industrial grade 45 lb. particle board core with a protective rubber Safeguard T-edge. The work surface shall be 20" (508mm) deep overall and finished with a high pressure laminate on top and warp resistant backer on the bottom.

5.4 CORNERS

Shall be available in 15, 45 and 90 degree concave sections, as well as 15 and 45 degree convex sections. Corner units shall be constructed of 3/4" black melamine interior and high pressure laminate exterior.

ARCHITECT AND ENGINEER SPECIFICATIONS

5) COMPONENTS (CONT.)

5.5 REMOVABLE REAR ACCESS PANELS

Shall be constructed of laminated 3/4" particle board with a minimum of .5mm PVC edges.

5.6 FRONT LOWER HINGED DOORS

Shall be constructed of laminated 3/4" particle board with a minimum of .5mm PVC edges.

5.7 VERSA-TRAK MONITOR MOUNTING SYSTEM

Shall be attached to the rear of the console bays. Versa-Trak is a black anodized aluminum track system capable of supporting a wide variety of monitor arrays. The track will provide lateral adjustability and be constructed of extruded 6105-T5 aluminum with a T-slot profile. Monitor array support posts shall be available in 15" (381mm), 28-1/2" (723mm), 42" (1066mm), and 60" (1524mm) heights. The support posts shall be 1.5" (38mm) or 1.9" (48mm) in diameter and mounted to the Versa-Trak with ball spring drop-in T-nuts.

6) FINISH AND COLOR

6.1 All laminated surfaces shall be available in a wide variety of standard colors.

6.2 Edge treatment on the vertical and horizontal panels shall be a minimum of .5mm PVC.

7) OPTIONAL ACCESSORIES

7.1 A full range of optional accessories shall be available including, but not limited to: blank panels, vented panels, sliding drawers, universal rack mount stationary shelves, sliding pullout shelves, power outlets, file cabinets, monitor mounts and wire ducts.

8) MOUNTING HARDWARE

8.1 All hardware needed for assembly shall be provided. 10-32 bolts with washers, suitable for use with 19" EIA tapped rack rails, shall be included where appropriate.

9) INSTRUCTIONS

9.1 Fully detailed assembly instructions in the English language shall be supplied with both written and pictorial descriptions for each item/model numbered component.

10) PACKAGING

10.1 Each component part number shall be independently marked and packed into double or triple ply corrugated outer cartons and shall be suitable for storage and shipping to site without damage.

11) WARRANTY

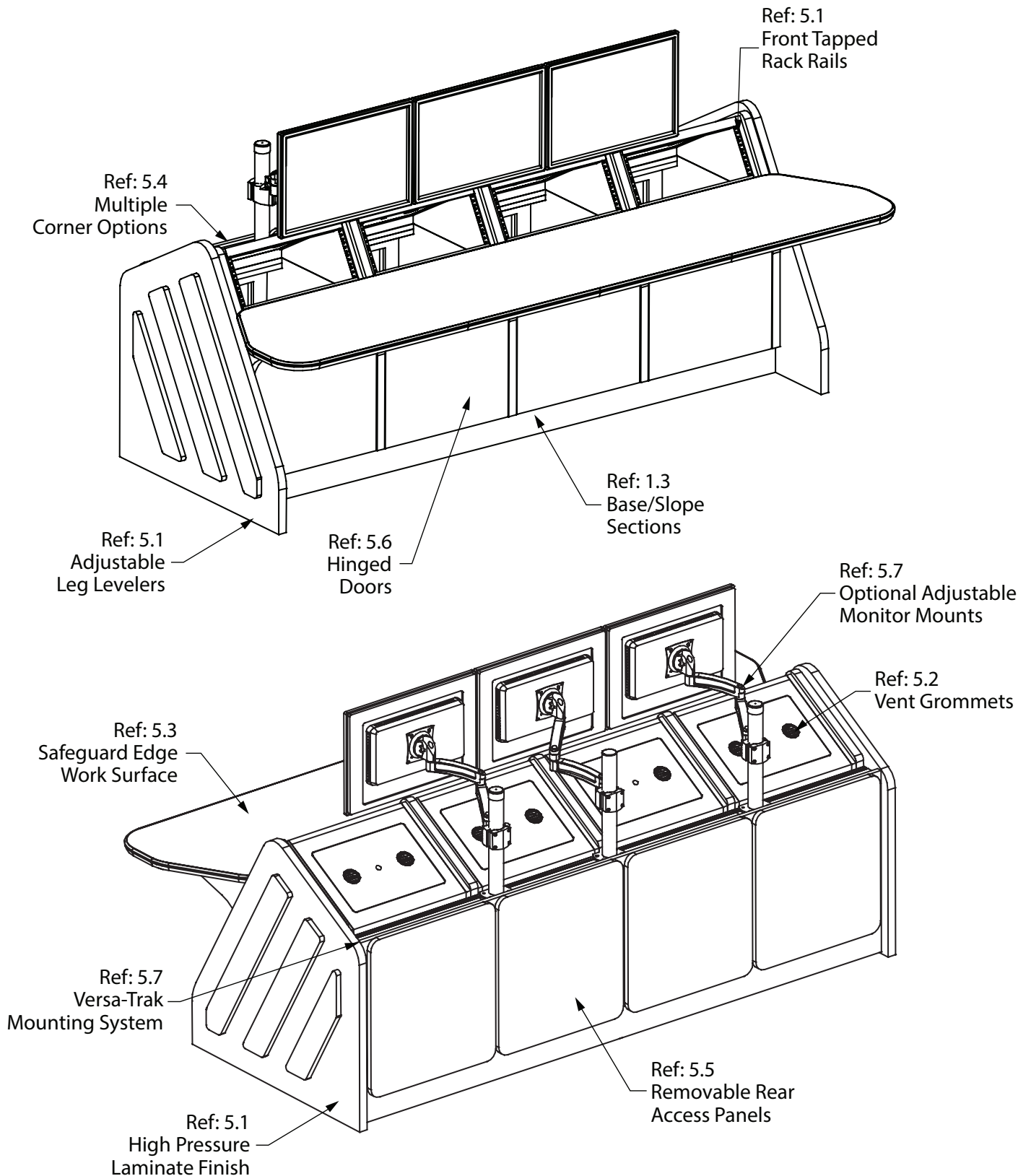
11.1

- A LIFETIME WARRANTY on all fixed steel structure frame components.
- A 10 year warranty on adjustable, sliding or hinged components and laminated surfaces.
- A 5 year warranty on Endurance Plus and TruForm surfaces.
- A 2 year warranty on all electrical components and chairs.

*American Standard Wire Gauge (ASWG).

ARCHITECT AND ENGINEER SPECIFICATIONS

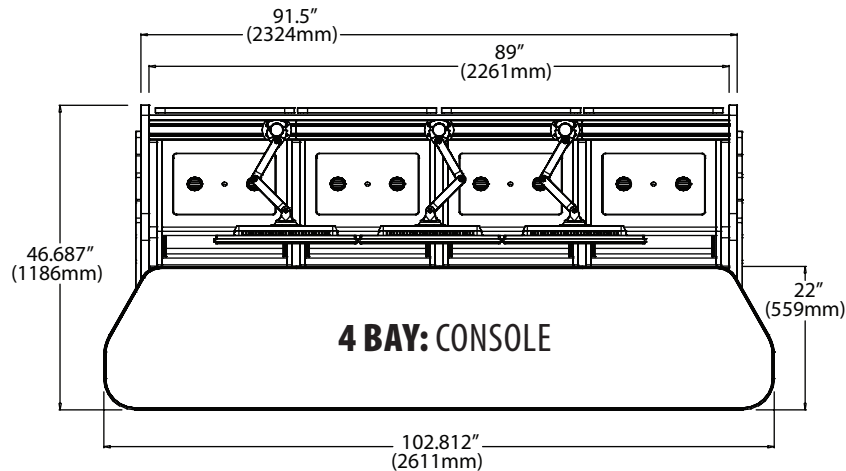
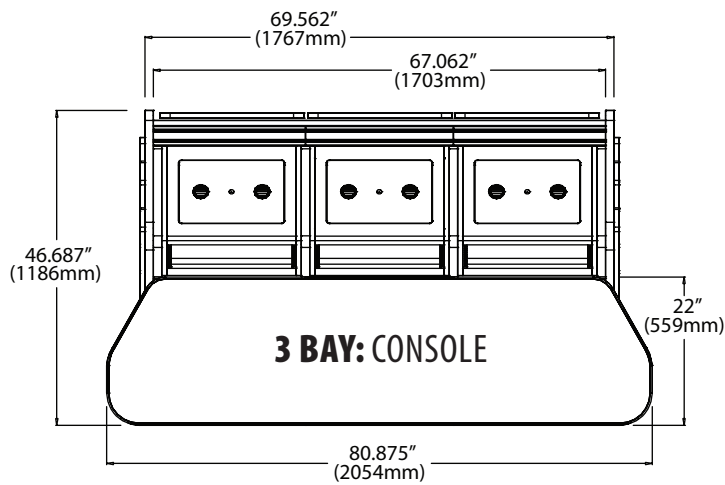
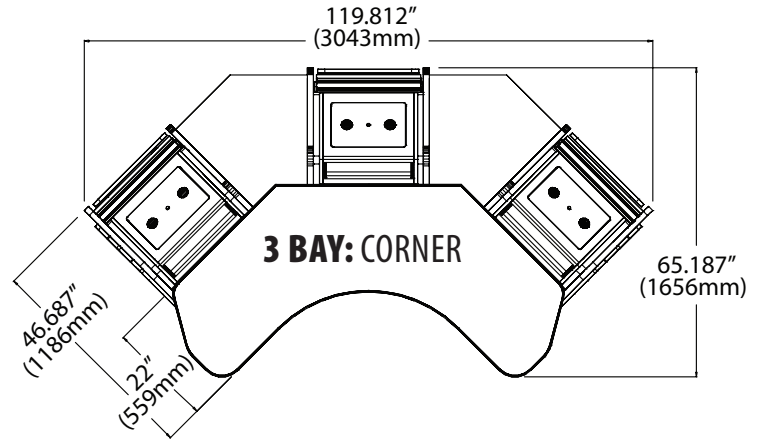
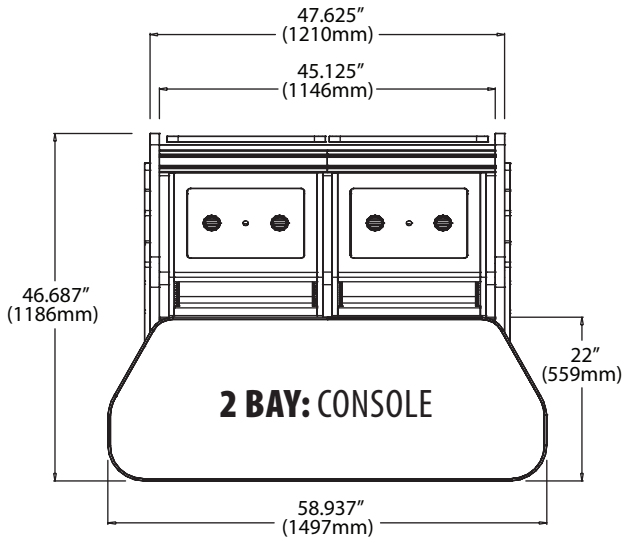
MODEL: SPECTRUM-2 - CONSOLES (CONT.)



APPENDIX A

ARCHITECT AND ENGINEER SPECIFICATIONS

MODEL: SPECTRUM-2 - CONSOLES (CONT.)

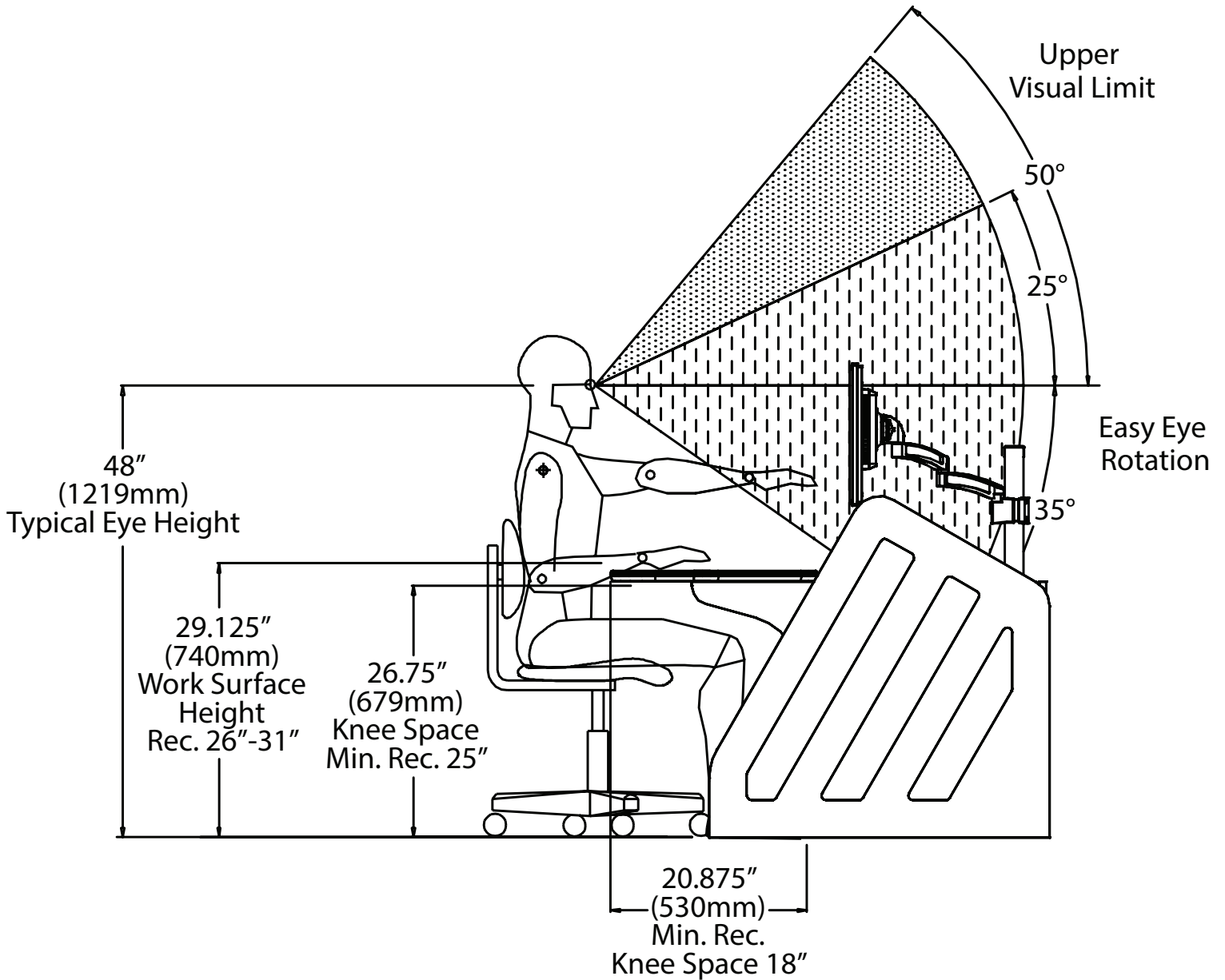


APPENDIX B

ARCHITECT AND ENGINEER SPECIFICATIONS

MODEL: SPECTRUM-2 - CONSOLES (CONT.)

ERGONOMIC DETAIL



APPENDIX C