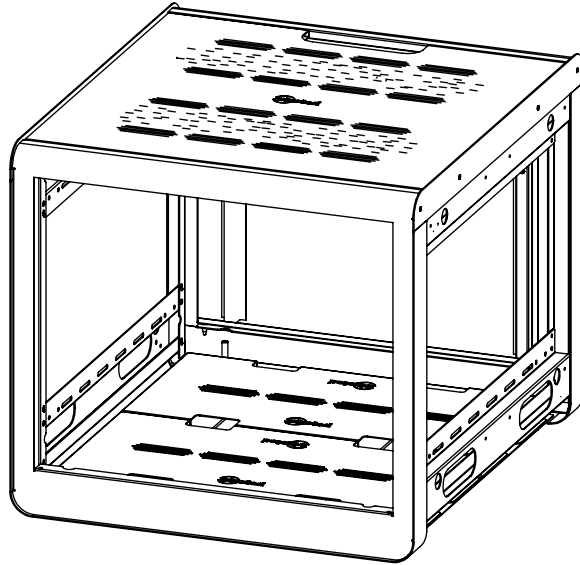
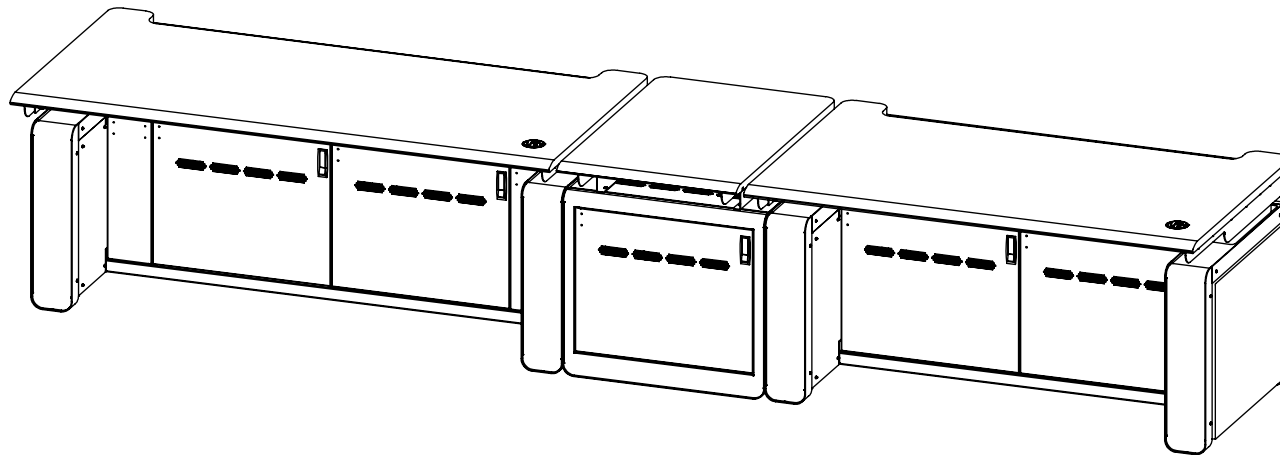


OPTIONS



- WORKSURFACE:  1 1/8" MDF  COMFORT EDGE FINISH
- 5/8" COMP. LAM.  MACHINED EDGE FINISH
  
- DOORS  STEEL VENTED  LOCKABLE
- LAMINATE  LOCKABLE
  
- END PANELS  1/2" MDF
- 1/2" COMPACT LAMINATE
  
- ADD-ONS  RACK RAILS



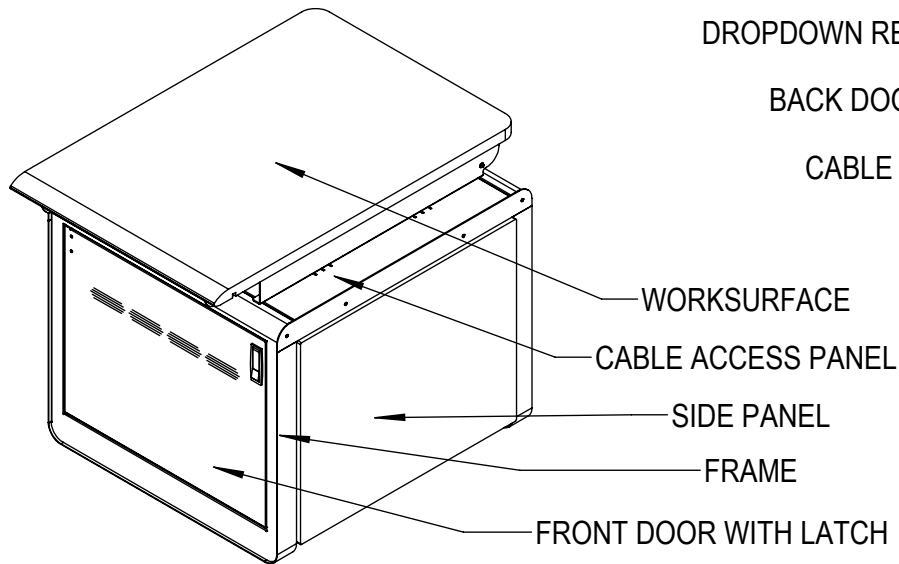
# PINNACLE TECHNOLOGY CABINET

SCALE - NTS

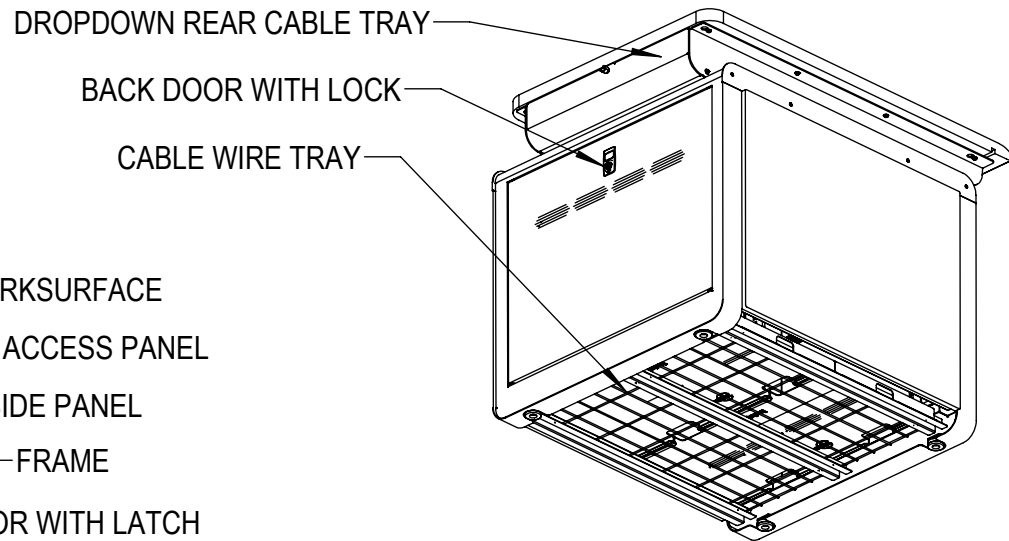
The copyright of this drawing and design is vested solely in the Winsted Corporation. Reproduction of the document, in whole or in part, is prohibited other than with the express permission of the above company.

Sheet

1 / 3



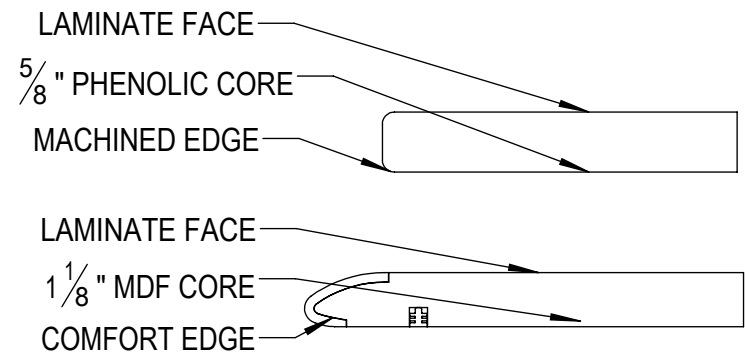
① TECHNOLOGY CABINET ISO -FRONT



② TECHNOLOGY CABINET ISO -BOTTOM

NOTES:

- WORKSURFACES AVAILABLE IN 1 1/8" MDF OR 5/8" COMPACT LAMINATE (CL)
- APPLIES TO ALL SURFACES:
  - MDF CUSTOM COLOR OPTIONS REQUIRE CONTROL SAMPLE TO MATCH
  - CL CUSTOM COLORS MUST BE FROM FORMICA COLORECORE SERIES
- EDGE CONDITIONS:
  - WORKSURFACES
    - MDF: SAFEGUARD (T-MOLDED POLYETHYLENE PVC)
    - CL: MACHINE SHAPED EXPOSED PHENOLIC RESIN CORE
  - PANELS & DOORS
    - EDGE-BANDING TO MATCH SURFACE COLOR
- RACK RAILS CAN BE INSTALLED BEHIND DOORS OR SIDE PANELS.
  - IF INSTALLING BEHIND SIDE PANELS, USE SCREW HOLE SHOWN ON SHEET 3, DETAIL 5.



③ WORK SURFACE EDGE TYPES TYPICAL

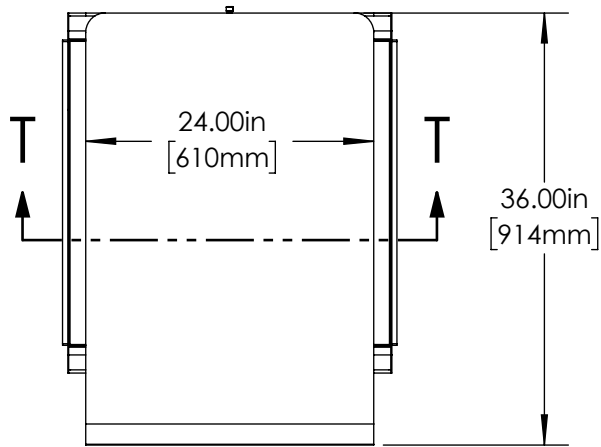


# PINNACLE TECHNOLOGY CABINET

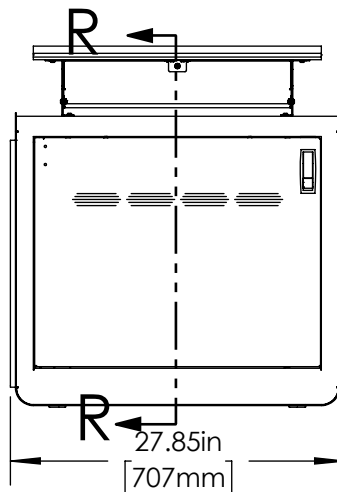
SCALE - NTS

The copyright of this drawing and design is vested solely in the Winsted Corporation. Reproduction of the document, in whole or in part, is prohibited other than with the express permission of the above company.

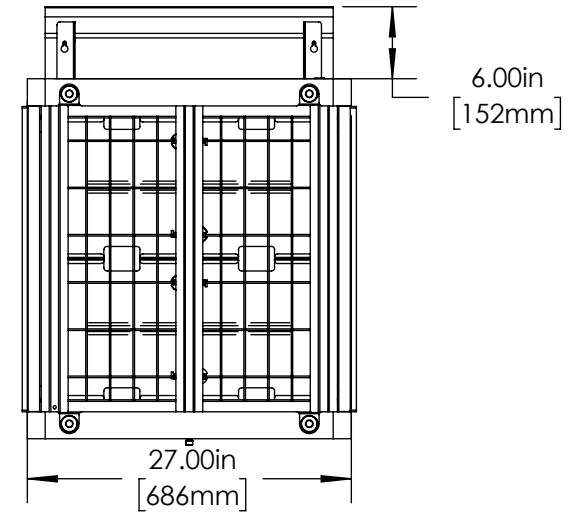
Sheet



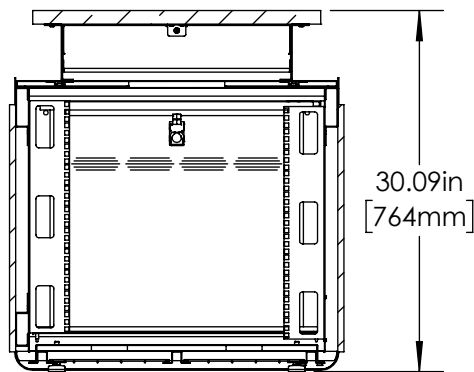
① TECHNOLOGY CABINET - TOP



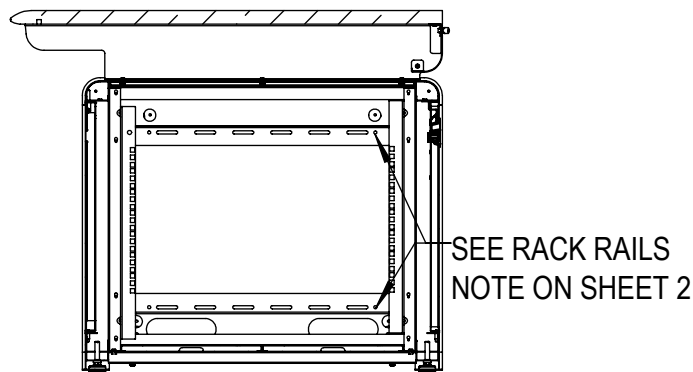
② TECHNOLOGY CABINET - FRONT



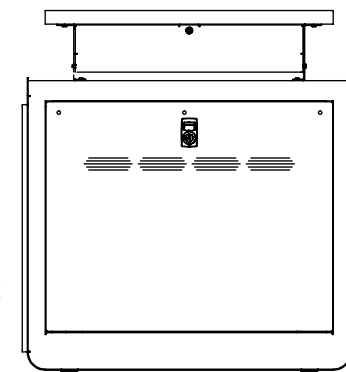
③ TECHNOLOGY CABINET - BOTTOM



④ TECHNOLOGY CABINET - SECTION T-T



⑤ TECHNOLOGY CABINET - SECTION R-R



⑥ TECHNOLOGY CABINET - BACK



# PINNACLE TECHNOLOGY CABINET

SCALE - NTS

The copyright of this drawing and design is vested solely in the Winsted Corporation. Reproduction of the document, in whole or in part, is prohibited other than with the express permission of the above company.

Sheet

3 / 3