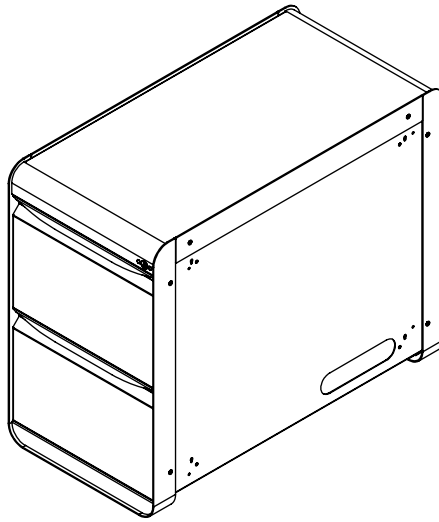
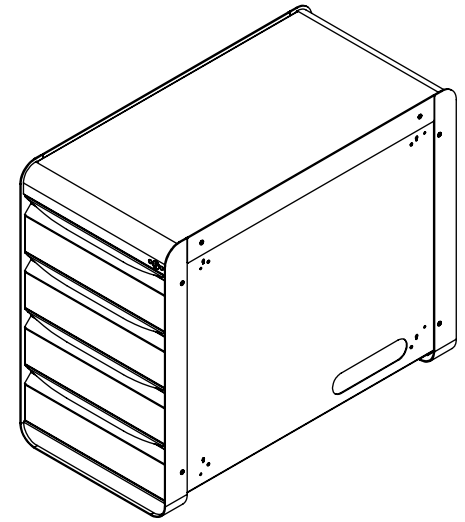


95190



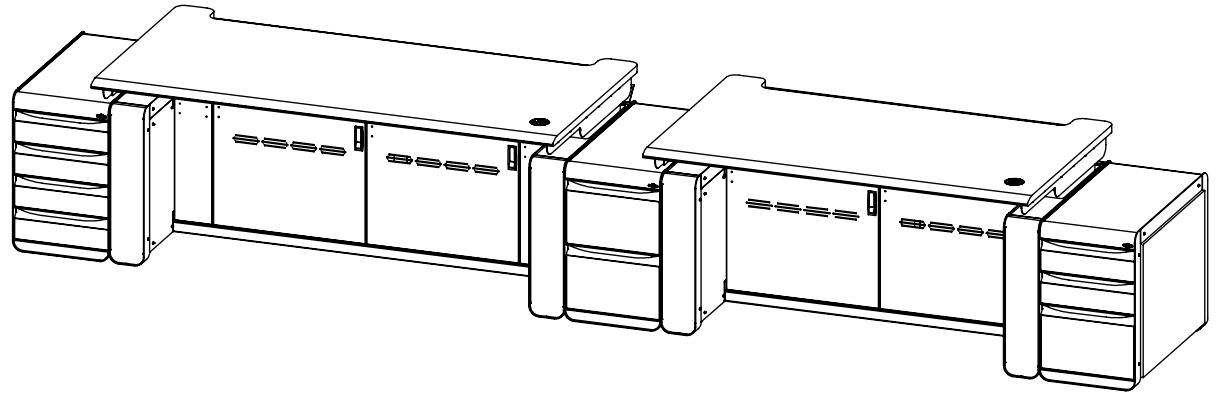
95191



95192

NOTES

- DRAWER CABINETS AVAILABLE IN THREE CONFIGURATIONS
 - 95190: TWO BOX AND ONE FILE DRAWER
 - 95191: TWO FILE DRAWERS
 - 95192 : FOUR BOX DRAWERS
- BACK PANEL REMOVABLE FOR WIRE ACCESS AND MOUNTING (SEE PAGE 2)
- LOCKABLE DRAWERS AND BACK PANEL



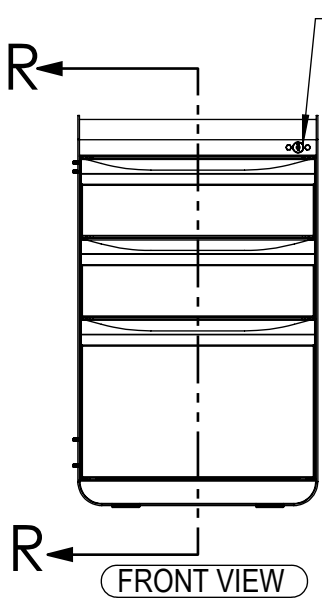
PINNACLE DRAWER BOX/FILE CABINET

SCALE - NTS

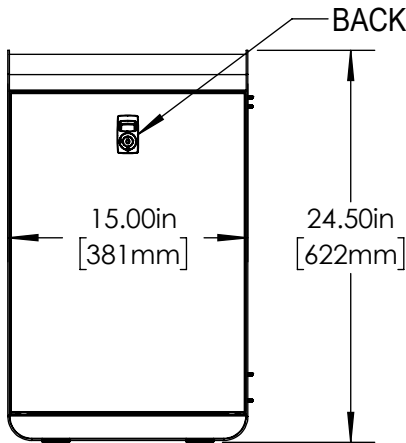
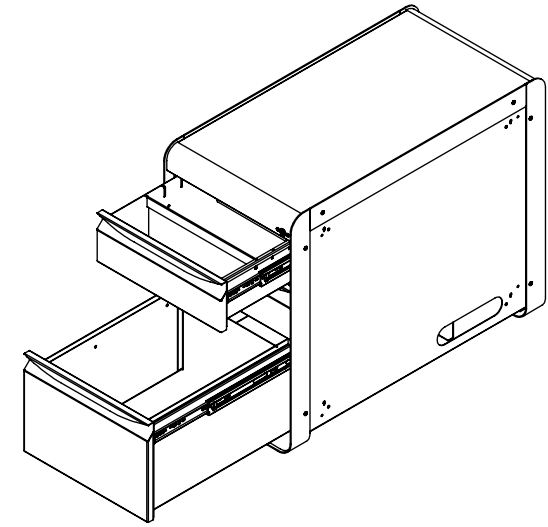
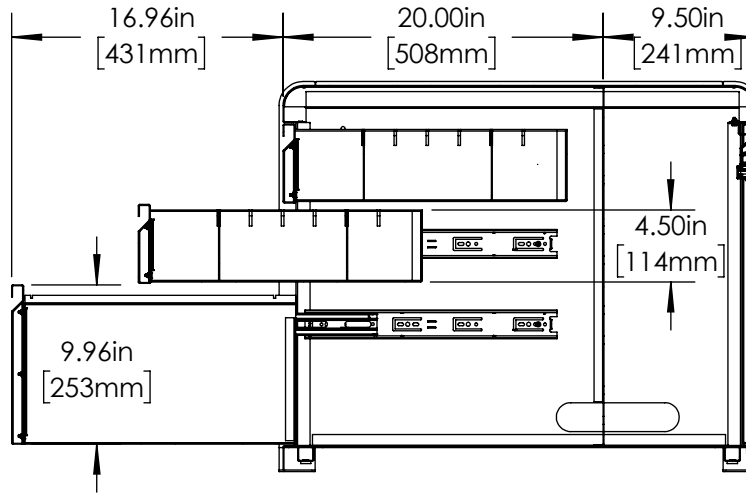
The copyright of this drawing and design is vested solely in the Winsted Corporation. Reproduction of the document, in whole or in part, is prohibited other than with the express permission of the above company.

Sheet

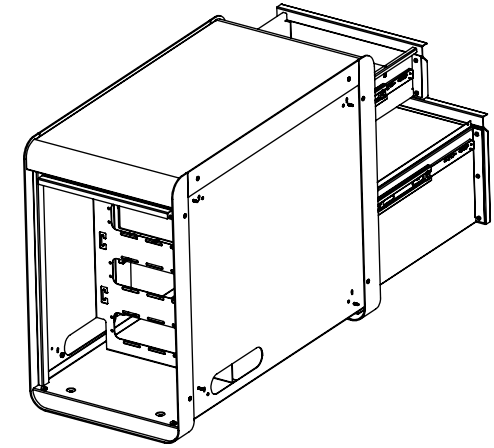
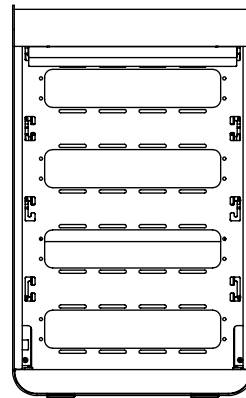
1 / 2



DRAWER LOCK



BACK PANEL LOCK



PINNACLE DRAWER BOX/FILE CABINET

SCALE - NTS

The copyright of this drawing and design is vested solely in the Winsted Corporation. Reproduction of the document, in whole or in part, is prohibited other than with the express permission of the above company.

Sheet

2 / 2