



MODEL: ENCOMPASS-2 - WORKSTATIONS

1) GENERAL DESCRIPTION

- 1.1 The contractor shall supply a modular, expandable, and reconfigurable workstation that supports the specified monitors, computers, and other equipment.
- 1.2 The system shall provide ample work surface and sufficient risers to accommodate the specified equipment. Space for computer CPUs or system towers shall exist in a rack cabinet or a method shall be provided to mount such equipment under the desk's work surface.
- 1.3 Overhead lighting with directional capability shall be provided as an option. The light source shall be two 16 watt fluorescent daylight bulbs.
- 1.4 The center desks, return desks, and corner sections shall feature modesty panels and an integrated cable management system that provides grommeted, discrete routing of video/monitor cables. Wide channel support legs shall provide cable routing and access via a removable panel. Legs shall have the capability of leveling.
- 1.5 The work surface(s) shall be available in 1" (25mm) thick laminated particle board with rubber contour trim and/or TruForm with 1" (25mm) thick MDF core. The rubber contour trim shall accept various colors of accent trim.

2) STANDARDS

- 2.1 All racks within the system shall comply with the Electronic Industry Association's (EIA) specifications for rack mounting ANSI/EIA standard RS-310.

3) DRAWINGS

- 3.1 The contractor shall supply five sets of scaled drawings for each console assembly showing the location of all the specified electronics in isometric view, as well as plan (top) and front views.
- 3.2 The specification of sizes and dimensions shown in the drawings shall have a tolerance of not more than +/- 0.062" (1.6mm).

4) MODULAR PRE-ENGINEERED CONSTRUCTION

Workstation components shall be:

- 4.1 Of a pre-engineered steel and wood construction.
- 4.2 Available from a pre-defined set of manufacturers model numbers.
- 4.3 In common production for at least one year prior to the date of submission.

5) COMPONENTS

5.1 CENTER DESKS

Center desks shall be 30" (761mm) deep, 29" (736mm) high, and available in 48" (1219mm) and 72" (1829mm) widths. The work surface shall be constructed of 1" (25mm) thick laminated particle board with rubber contour trim and a TruForm beveled front edge.

5.2 RETURN DESKS

Return desks shall be 24" (609mm) deep, 29" (736mm) high, and 60" (1523mm) wide. Return desks shall be available in both left and right hand orientation. The work surface shall be available in 1" (25mm) thick laminated particle board with rubber contour trim or TruForm with a 1" (25mm) thick MDF core.

5.3 CORNER SECTIONS

Corners shall be concave and available in 45 and 90 degree sections. The work surface shall be 1" (25mm) thick laminated particle board with rubber contour trim.

5.4 TRAPEZOIDAL RISERS

The trapezoidal monitor risers shall be 8-7/8" (225mm) high, 12" (305mm) deep, and 44" (1117mm) wide. Risers shall be available in 1" (25mm) thick laminated particle board with rubber contour trim or TruForm with 1" (25mm) thick MDF core.

5.5 TASK LIGHTING

Overhead lighting with supports and directional capability shall be provided as an option. The light source shall be two 16 watt fluorescent daylight bulbs. Task light shall be 48" (1218mm) wide and 24-1/4" (615mm) high.

ARCHITECT AND ENGINEER SPECIFICATIONS

6) FINISH AND COLOR

- 6.1** All steel frame components, including CPU tower supports, pullout keyboard shelves, and accessories shall have a zinc oxide wash primer with a black baked-on textured enamel paint finish. Standard work surfaces and monitor risers shall be black granite laminates and/or Russian Maple TruForm with 1" thick MDF core.
- 6.2** A wide variety of laminate textures and colors are available for custom finishing.

7) OPTIONAL ACCESSORIES

- 7.1** A full range of optional accessories shall be available including, but not limited to: CPU tower support wells, task lighting, power supplies, electrical strips, pullout keyboard trays, cup holders, colored accent trim inserts, chairs, and decorative end panels.

8) MATERIALS

- 8.1** Center desk work surfaces, return desk work surfaces, corner section work surface, and monitor risers shall be made of 1" (25mm) thick laminated particle board core and/or TruForm with a 1" (25mm) thick MDF core.
- 8.2** Desk legs and framework shall be made of 14 and 16-gauge* steel (.074" and .062").
- 8.3** Light support frame shall be 11-gauge steel (.119").
- 8.4** Steel frames shall be of pre-welded and formed construction. All exposed welds shall be filed smooth and sharp corners eliminated.
- 8.5** All components shall be shipped either fully assembled or knocked down to save shipping costs. All assembly must be possible of on site construction without welding or carpentry work.

9) MOUNTING HARDWARE

- 9.1** Mounting hardware for the specified electronics shall be available upon request. All hardware needed for assembly shall be provided. Panel bolts, washers, and clips with captive nuts suitable for use with EIA standard punched rack rails shall be included where appropriate.

10) INSTRUCTIONS

- 10.1** Fully detailed assembly instructions in the English language shall be supplied with both written and pictorial descriptions for each item/model numbered component.

11) PACKAGING

- 11.1** Each component part number shall be independently marked and packed into double or triple ply corrugated outer cartons and shall be suitable for storage and shipping to site without damage.

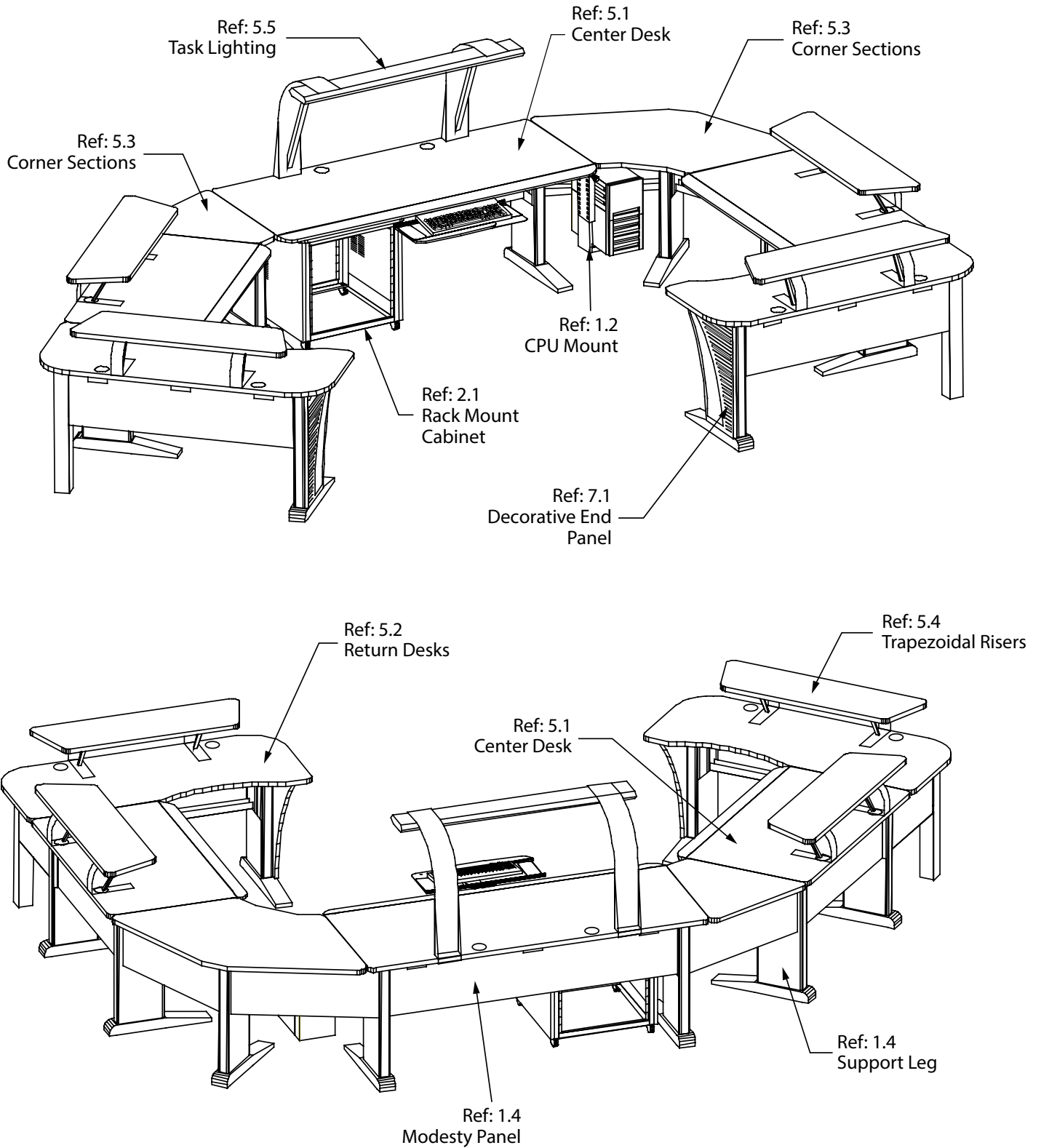
12) WARRANTY

- 12.1**
- A LIFETIME WARRANTY on all fixed steel structure frame components.
 - A 10 year warranty on adjustable, sliding or hinged components and laminated & Marmoleum surfaces.
 - A 5 year warranty on Endurance Plus and TruForm surfaces.
 - A 2 year warranty on all electrical components and chairs.

*American Standard Wire Gauge (ASWG).

ARCHITECT AND ENGINEER SPECIFICATIONS

MODEL: ENCOMPASS-2 - WORKSTATIONS (CONT.)



APPENDIX A

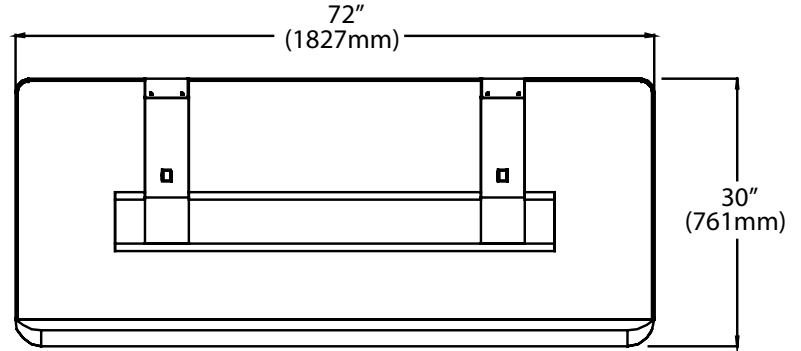
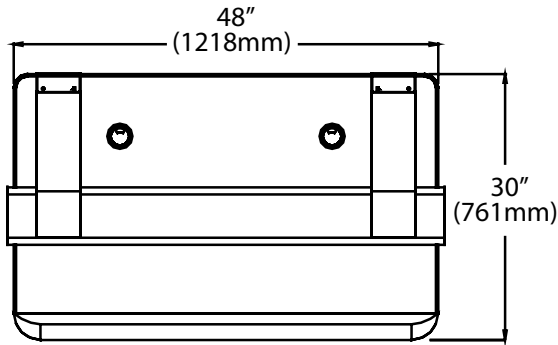
ARCHITECT AND ENGINEER SPECIFICATIONS

MODEL: ENCOMPASS-2 - WORKSTATIONS (CONT.)

CENTER DESKS:

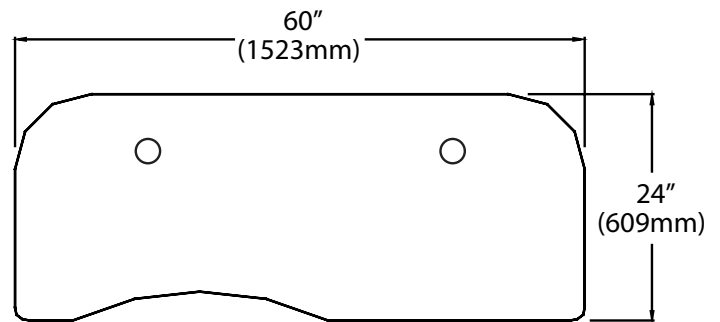
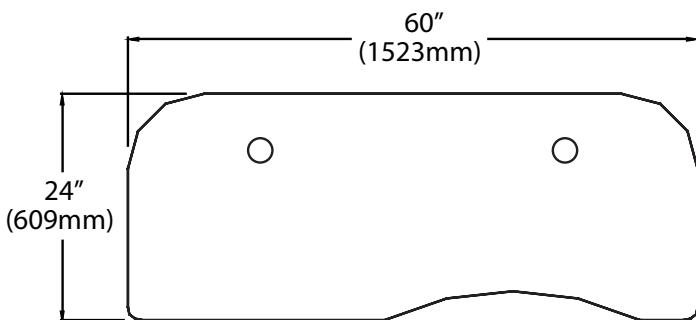
(Shown with optional task light)

REF. 5.1



RETURN DESKS:

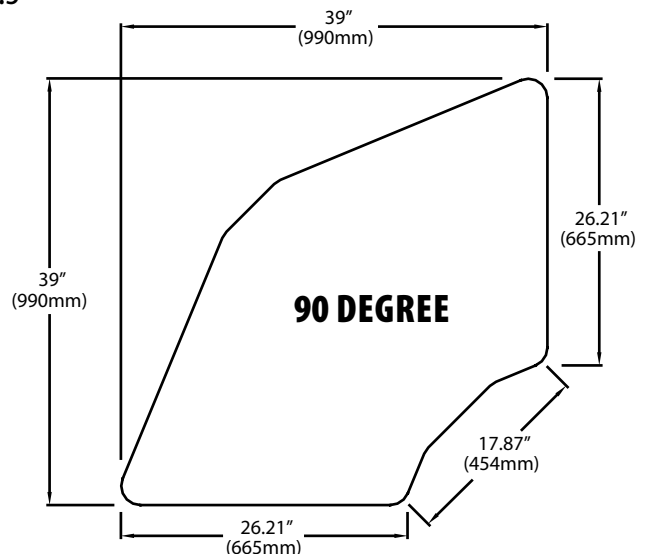
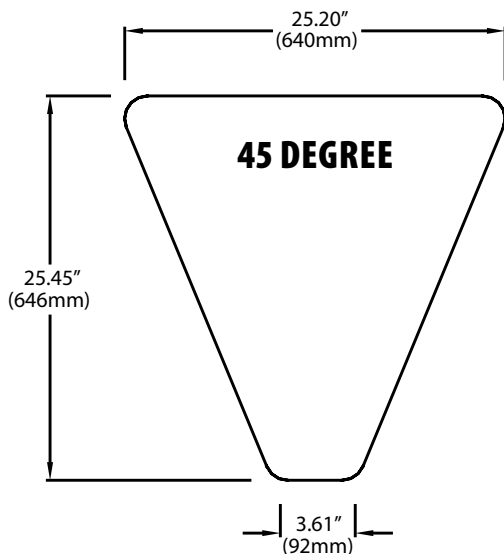
REF. 5.2



(Return Desks must be used in conjunction with Center Desks.)

CORNER SECTIONS:

REF. 5.3



APPENDIX B