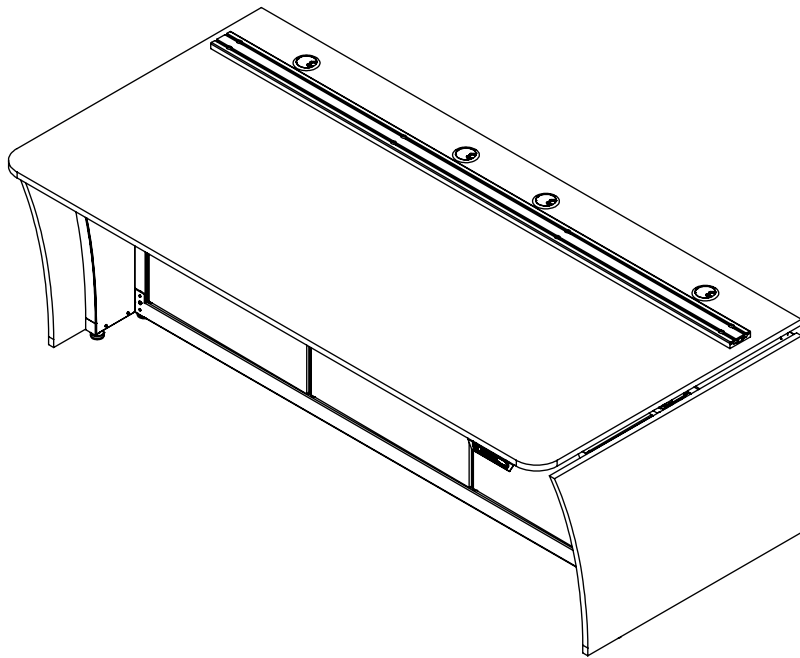


SYSTEM DESCRIPTION

SYSTEM CAPABLE OF SUPPORTING SPECIFIED ELECTRONICS.
 PRE-ENGINEERED MODULAR CONSTRUCTION WITH THREE MODULE SIZES (1-BAY, 2-BAY & 3-BAY) AND CONCAVE OR CONVEX CORNER WEDGES IN 15DEG, 45DEG AND 90DEG INCREMENTS.
 SUPPLIED KNOCKED-DOWN; ASSEMBLY ACCOMPLISHED WITHOUT NEED FOR WELDING OR MODIFICATIONS.
 CONSTRUCTED OF STEEL SUPERSTRUCTURE FRAMEWORK CONSISTING OF END FRAMES CONNECTED BY HORIZONTAL CROSSBAR. COMPRISED OF STEEL END FRAMES.
 TWO 1.5X3IN CABLE MANAGEMENT RACEWAYS PER WORK SURFACE, INTEGRATED CABLE CHANNEL IN BASE.
 WORK SURFACES WITH INTEGRATED BLACK ANODIZED ALUMINUM VERSA-TRAK MOUNTING SYSTEM FOR LCD MONITOR ARRAYS.
 INTEGRATED CABLE MANAGEMENT ACCESSIBLE THROUGH COVER PANELS.
 ELECTRIC LIFT LEGS OPERATE AT 38MM/S AND ACCEPT 90LBS PER COLUMN.
 WORK SURFACE HEIGHT ADJUSTMENT FROM 28.25 TO 44.25IN HIGH.



- | | | |
|------------------------------------|--|---|
| FRAME | <input checked="" type="checkbox"/> 59000 | <input type="checkbox"/> SIGHTLINE A |
| BASE | <input checked="" type="checkbox"/> CLOSED | <input checked="" type="checkbox"/> HEIGHT ADJUSTABLE |
| FINISH | <input checked="" type="checkbox"/> BLACK POWDER COAT | |
| WORK SURFACE | <input checked="" type="checkbox"/> SINGLE | |
| END PANELS* | <input type="checkbox"/> 3/4" MDF | <input type="checkbox"/> 5/8" COMPACT LAMINATE |
| <i>*MCF not available in Maple</i> | <input type="checkbox"/> BLACK | <input type="checkbox"/> WHITE |
| LIFTING COLUMNS | <input type="checkbox"/> 3/4" MCF | <input type="checkbox"/> 3/4" MDF |
| POWER COMPATIBILITY | <input type="checkbox"/> BLACK | <input type="checkbox"/> WHITE |
| CONTROL INTERFACE | <input type="checkbox"/> ONE SET OF TWO COLUMNS (2 TOTAL) | <input type="checkbox"/> GRAY |
| FEATURES | <input type="checkbox"/> 110v | <input type="checkbox"/> 240v |
| | <input type="checkbox"/> ANALOG | <input type="checkbox"/> SYNERGY |
| | <input checked="" type="checkbox"/> CPU SHELF | |
| | <input checked="" type="checkbox"/> VERSA-TRAK | |
| | <input checked="" type="checkbox"/> LAMINATE FRONT DOORS | <input checked="" type="checkbox"/> SOFT TOUCH LATCH |
| | <input checked="" type="checkbox"/> STEEL VENTED REAR DOORS | <input checked="" type="checkbox"/> SOFT TOUCH LATCH |
| | <input checked="" type="checkbox"/> DYNA-LINQ | <input checked="" type="checkbox"/> LOCKABLE |
| | <input checked="" type="checkbox"/> 11U RACKING BASE CABINET | <input checked="" type="checkbox"/> LOCKABLE |
| | <input type="checkbox"/> SLAT-WALL | |

WARRANTY

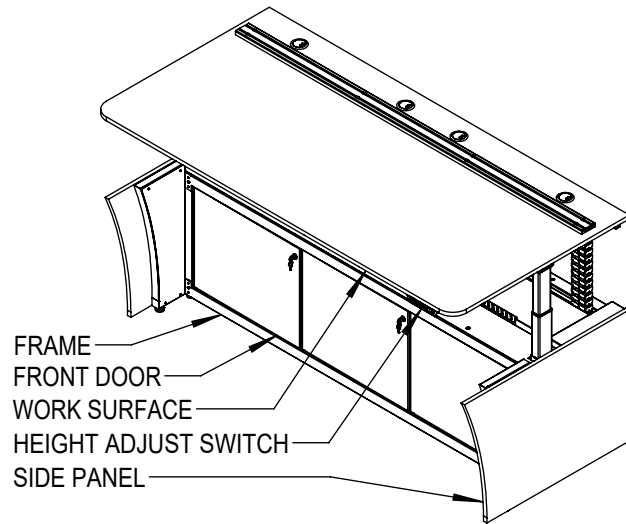
LIMITED LIFETIME WARRANTY ON ALL FIXED STEEL STRUCTURE FRAME COMPONENTS
 10-YEAR WARRANTY ON ADJUSTABLE, SLIDING, OR HINGES COMPONENTS
 10-YEAR WARRANTY ON LAMINATED SURFACES
 5-YEAR WARRANTY ON POWER ACTUATED LIFT MECHANISMS
 2-YEAR WARRANTY ON GENERAL ELECTRICAL COMPONENTS



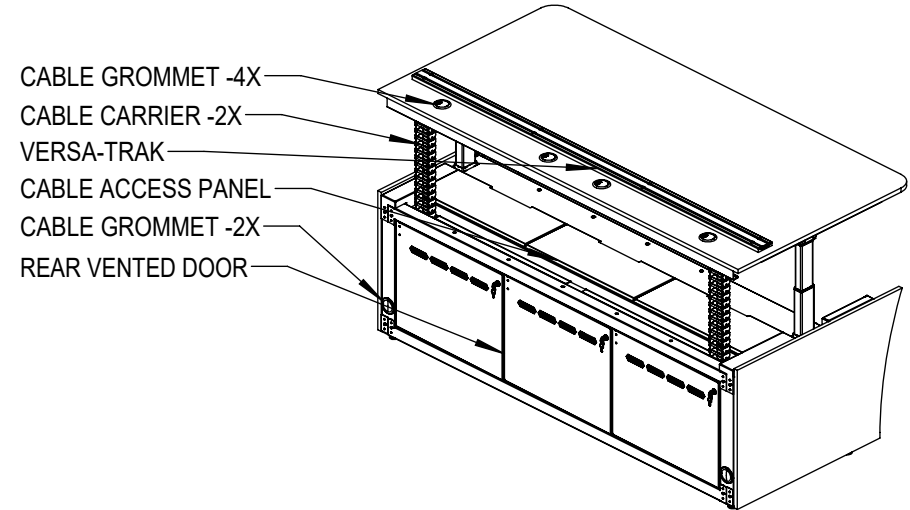
59000 Sightline A Closed Base 3 Bay

SCALE - NTS

The copyright of this drawing and design is vested solely in the Winsted Corporation. Reproduction of the document, in whole or in part, is prohibited other than with the express permission of the above company.



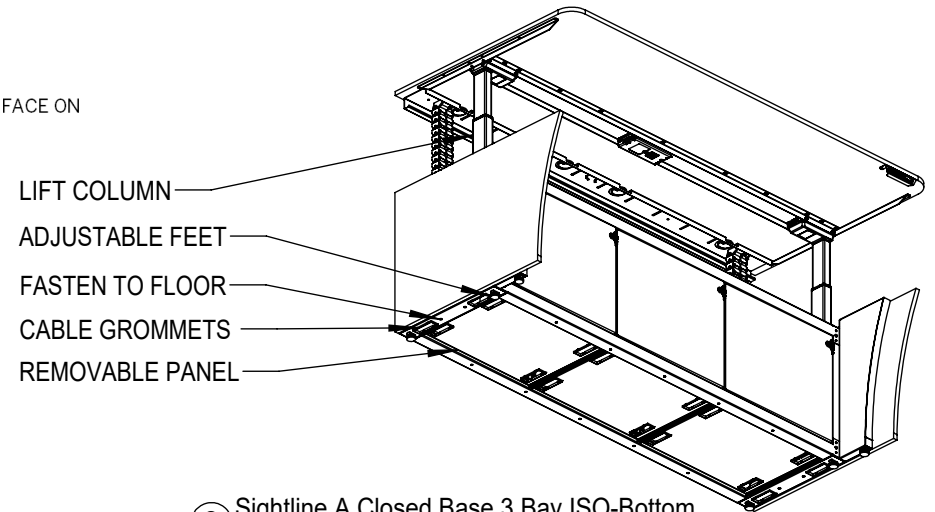
① Sightline A Closed Base 3 Bay ISO-Front



② Sightline A Closed Base 3 Bay ISO-Back

NOTES:

- WORK SURFACES AVAILABLE IN 3/4" MDF OR 5/8" COMPACT LAMINATE (CL) CORE, OR 1 1/4" SOLID SURFACE ON MDF CORE CONSTRUCTION
- END PANELS AND DOORS AVAILABLE IN 3/4" MCF AND 3/4" MDF CORE
- APPLIES TO ALL SURFACES:
 - LAMINATE FACE COLORS ARE BLACK, WHITE, GRAY, MAPLE & WALNUT
 - MDF CUSTOM COLOR OPTIONS; REQUIRE CONTROL SAMPLE TO MATCH
 - CL CUSTOM COLORS MUST BE FROM FORMICA COLORECORE SERIES
 - SOLID SURFACE CUSTOM COLOR OPTIONS; REQUIRE CONTROL SAMPLE TO MATCH
 - MCF NOT AVAILABLE IN MAPLE
 - ARCHITECT TO SPECIFY GRAIN DIRECTION FOR MAPLE & WALNUT
- EDGE CONDITIONS (SECTION SHOWN ON SHEET 3, DETAIL 6)
 - WORK SURFACES
 - MDF: SAFEGUARD (T-MOLDED POLYETHYLENE PVC)
 - CL: MACHINE-SHAPED EXPOSED PHENOLIC RESIN CORE
 - SOLID SURFACE: MACHINE-SHAPED BULLNOSE
 - PANELS AND DOORS:
 - MCF: PVC EDGE-BANDING TO MATCH SURFACE COLOR
 - MDF: PVC EDGE-BANDING TO MATCH SURFACE COLOR



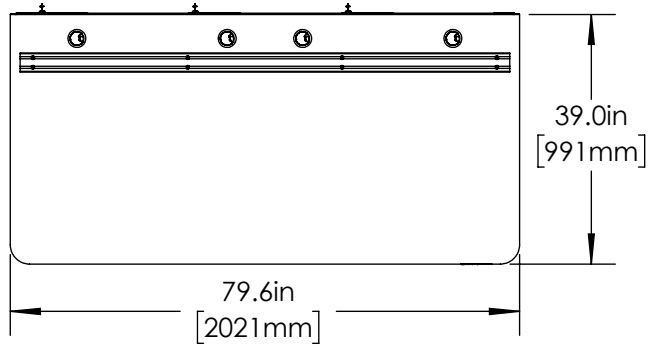
③ Sightline A Closed Base 3 Bay ISO-Bottom



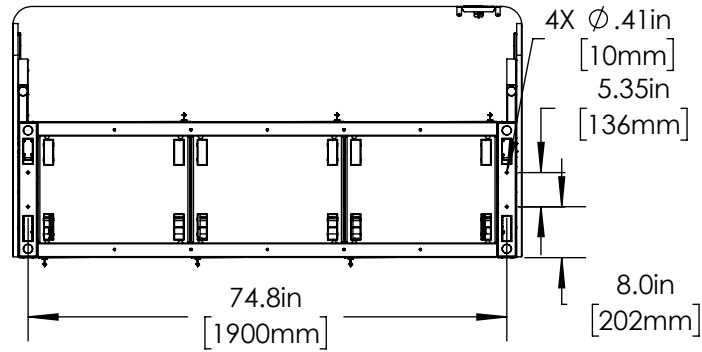
59000 Sightline A Closed Base 3 Bay

SCALE - NTS

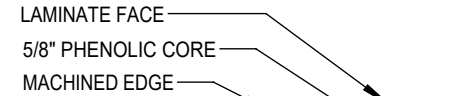
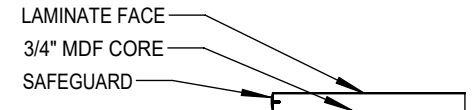
The copyright of this drawing and design is vested solely in the Winsted Corporation. Reproduction of the document, in whole or in part, is prohibited other than with the express permission of the above company.



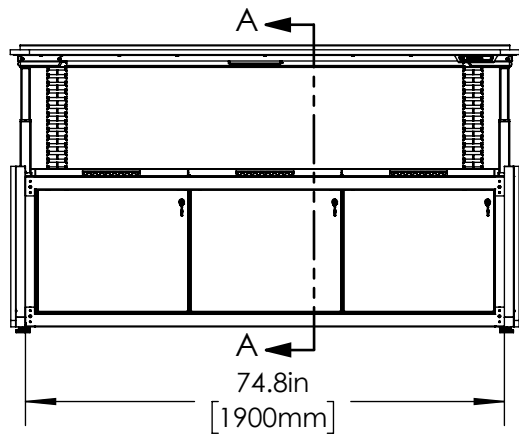
① Sightline A Closed Base 3 Bay Top



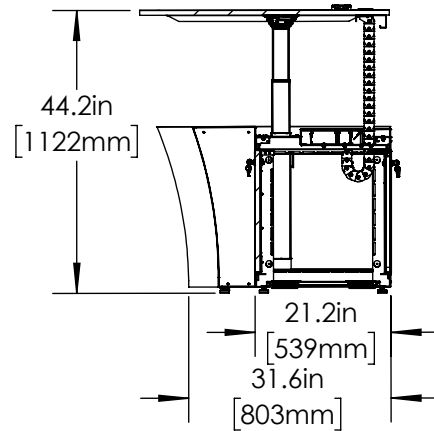
② Sightline A Closed Base 3 Bay Bottom



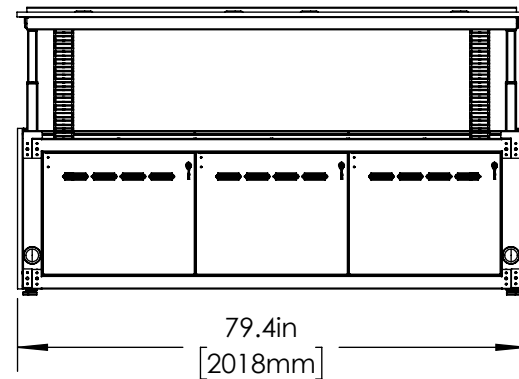
⑥ Work Surface Edge Types Typical



③ Sightline A Closed Base 3 Bay Front



④ Sightline A Closed Base 3 Bay Section A-A



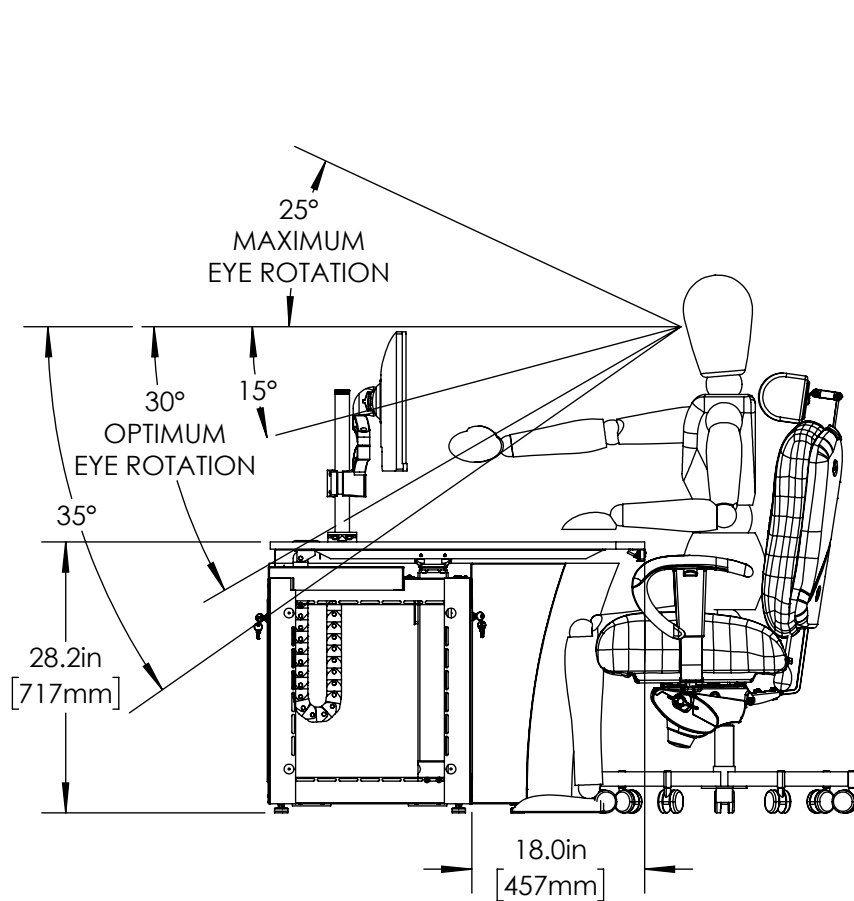
⑤ Sightline A Closed Base 3 Bay Back



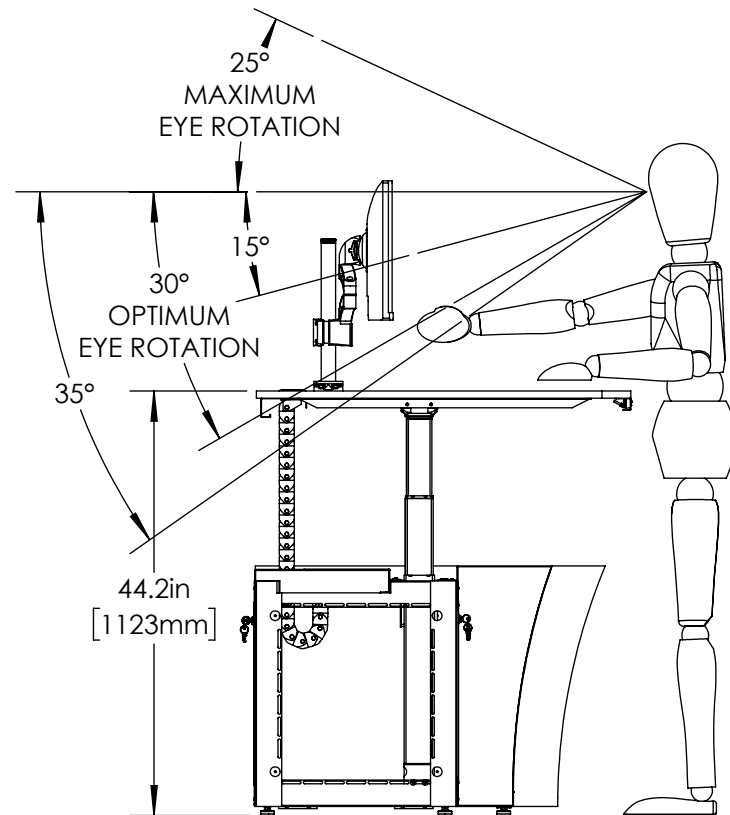
59000 Sightline A Closed Base 3 Bay

SCALE - NTS

The copyright of this drawing and design is vested solely in the Winsted Corporation. Reproduction of the document, in whole or in part, is prohibited other than with the express permission of the above company.



① Sightline A Closed Base 3 Bay Ergonomic Details - Sitting



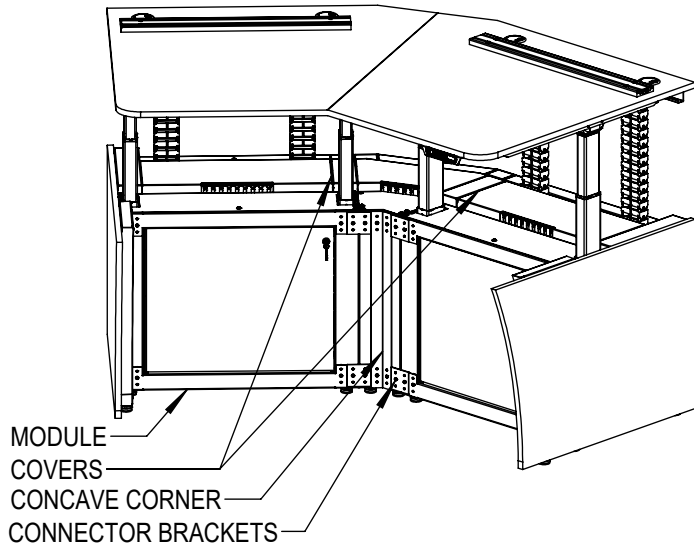
② Sightline A Closed Base 3 Bay Ergonomic Details - Standing



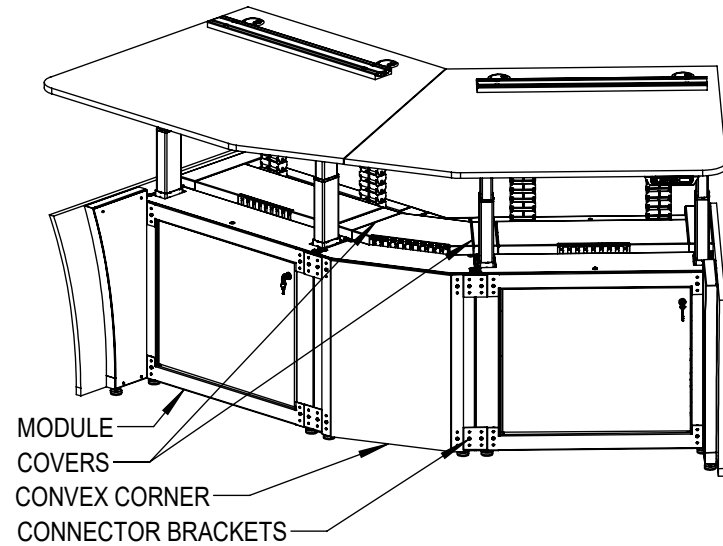
59000 Sightline A Closed Base 3 Bay

SCALE - NTS

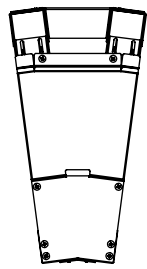
The copyright of this drawing and design is vested solely in the Winsted Corporation. Reproduction of the document, in whole or in part, is prohibited other than with the express permission of the above company.



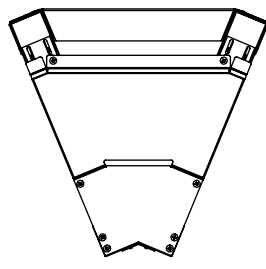
① Sightline A - Concave Corners



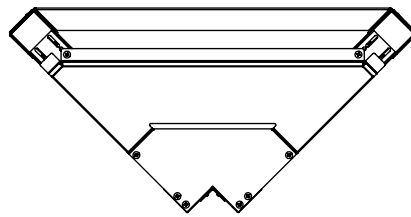
② Sightline A - Convex Corners



15 Degrees

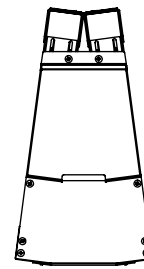


45 Degrees

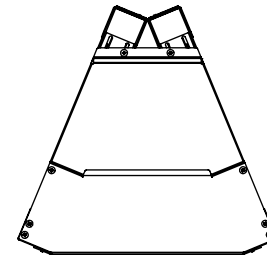


90 Degrees

③ Sightline A - Concave Corner Types



15 Degrees



45 Degrees

④ Sightline A - Convex Corner Types



59000 Sightline A Closed Base Corners

SCALE - NTS

The copyright of this drawing and design is vested solely in the Winsted Corporation. Reproduction of the document, in whole or in part, is prohibited other than with the express permission of the above company.

Sheet