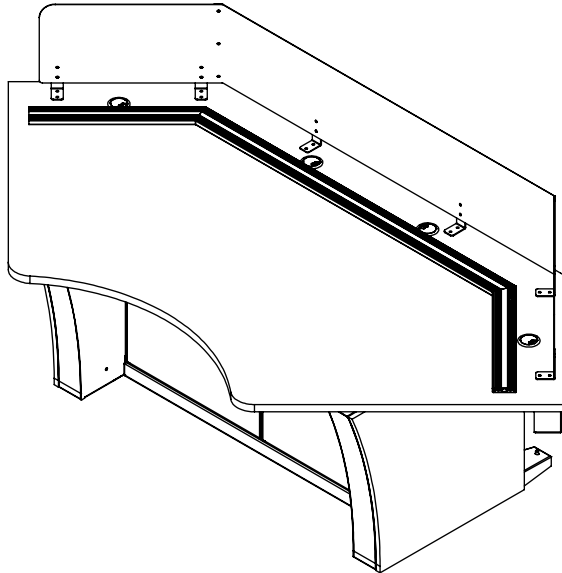


SYSTEM DESCRIPTION

SYSTEM CAPABLE OF SUPPORTING SPECIFIED ELECTRONICS.
 PRE-ENGINEERED MODULAR CONSTRUCTION.
 SUPPLIED KNOCKED-DOWN; ASSEMBLY ACCOMPLISHED WITHOUT NEED FOR WELDING OR MODIFICATIONS.
 CONSTRUCTED OF STEEL SUPERSTRUCTURE FRAMEWORK CONSISTING OF END FRAMES CONNECTED BY HORIZONTAL
 MODESTY PANEL (STEEL SHEET INCORPORATING EASY-ACCESS CABLE RACEWAY).
 TWO 1.5X3IN CABLE MANAGEMENT RACEWAYS PER WORK SURFACE. INTEGRATED CABLE CHANNEL IN BASE.
 QUICK-RELEASE LIFT-OFF ACCESS PANELS LOCATED ON INSIDE OF EACH END FRAME.
 COMPRISED OF STEEL END FRAMES WITH ELECTRIC-LIFT LEGS.
 WORK SURFACES WITH INTEGRATED BLACK ANODIZED ALUMINUM VERSA-TRAK MOUNTING SYSTEM FOR LCD MONITOR
 ARRAYS.
 ELECTRIC LIFT LEGS OPERATE AT 38MM/S AND ACCEPT 90LBS PER COLUMN.
 WORK SURFACE HEIGHT ADJUSTMENT FROM 30 TO 46IN HIGH.



FRAME	<input checked="" type="checkbox"/> 36550	VUE-C 99"			
BASE	<input type="checkbox"/> OPEN	<input checked="" type="checkbox"/> CLOSED	<input checked="" type="checkbox"/> HEIGHT ADJUSTABLE	<input type="checkbox"/> STATIONARY	
FINISH	<input checked="" type="checkbox"/> BLACK POWDER COAT				
WORK SURFACE	<input checked="" type="checkbox"/> SINGLE	<input type="checkbox"/> DUAL			
	<input type="checkbox"/> 1-1/8" LAM	<input type="checkbox"/> 1-1/8" CE	<input type="checkbox"/> 1-1/8" TF	<input type="checkbox"/> 5/8" CL	
	<input type="checkbox"/> BLACK	<input type="checkbox"/> WHITE	<input type="checkbox"/> GRAY	<input type="checkbox"/> MAPLE	<input type="checkbox"/> WALNUT
VERTICAL PANEL	<input type="checkbox"/> 3/4" LAM	<input type="checkbox"/> 3/4" TF			
	<input type="checkbox"/> BLACK	<input type="checkbox"/> WHITE	<input type="checkbox"/> GRAY	<input type="checkbox"/> MAPLE	<input type="checkbox"/> WALNUT
LIFTING COLUMNS	<input checked="" type="checkbox"/> TWO SETS OF TWO COLUMNS (4 TOTAL)				
POWER COMPATIBILITY	<input type="checkbox"/> 110v	<input type="checkbox"/> 240v			
PRIVACY PANEL	<input type="checkbox"/> PERFORATED	<input type="checkbox"/> ACOUSTICAL LIGHTING			
CONTROL INTERFACE	<input type="checkbox"/> ANALOG	<input type="checkbox"/> SYNERGY			
FEATURES	<input checked="" type="checkbox"/> CPU SHELF	<input checked="" type="checkbox"/> VERSA-TRAK	<input checked="" type="checkbox"/> 11U BASE RACK CABINET		
	<input checked="" type="checkbox"/> LAMINATE DOORS	<input checked="" type="checkbox"/> STEEL DOORS	<input checked="" type="checkbox"/> LOCKABLE		

WARRANTY

LIMITED LIFETIME WARRANTY ON ALL FIXED STEEL STRUCTURE FRAME COMPONENTS
 10-YEAR WARRANTY ON ADJUSTABLE, SLIDING, OR HINGES COMPONENTS
 10-YEAR WARRANTY ON LAMINATED SURFACES
 5-YEAR WARRANTY ON POWER ACTUATED LIFT MECHANISMS
 2-YEAR WARRANTY ON GENERAL ELECTRICAL COMPONENTS



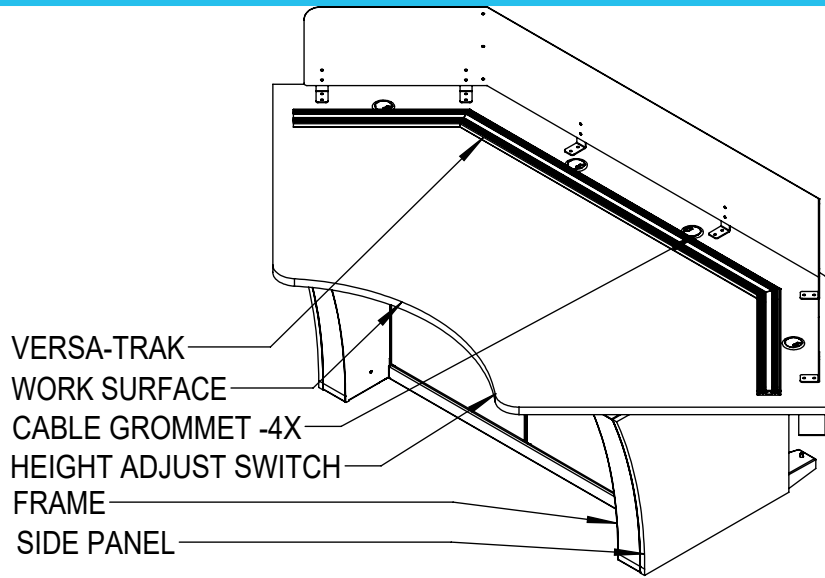
36550 Vue-C 99" Closed Base Sit-Stand

SCALE - NTS

The copyright of this drawing and design is vested solely in the Winsted Corporation. Reproduction of the document, in whole or in part, is prohibited other than with the express permission of the above company.

Sheet

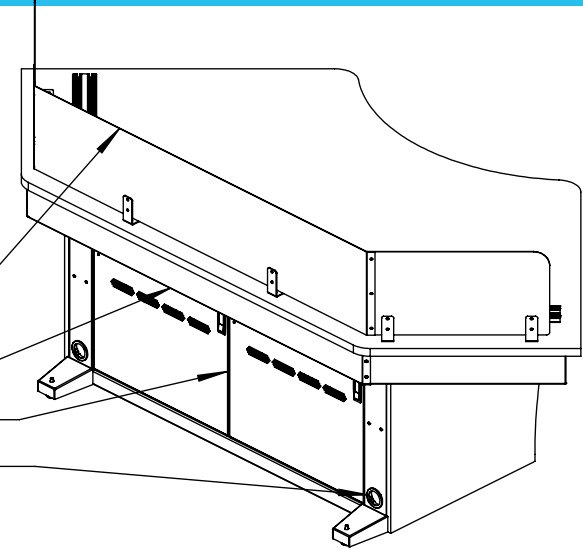
1 / 4



VERSA-TRAK
 WORK SURFACE
 CABLE GROMMET -4X
 HEIGHT ADJUST SWITCH
 FRAME
 SIDE PANEL

① Vue-C Closed Base Sit/Stand ISO-Front

PERFORATED
 PRIVACY PANEL
 REAR WIRE TRAY
 ENCLOSED CABINET
 CABLE GROMMET -2X

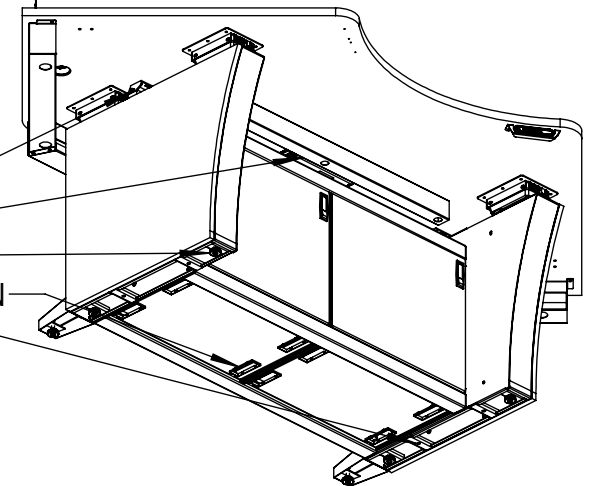


② Vue-C Closed Base Sit/Stand ISO-Back

NOTES:

- WORK SURFACES AVAILABLE IN:
 - 1-1/8" LAMINATE (LAM), COMFORT EDGE (CE), TRUFORM (TF)
 - 5/8" COMPACT LAMINATE (CL)
- VERTICAL PANELS AVAILABLE IN:
 - 3/4" LAMINATE (LAM)
 - 3/4" TRUFORM (TF)
- APPLIES TO ALL SURFACES:
 - LAMINATE FACE COLORS: BLACK, WHITE, GRAY, MAPLE & WALNUT
 - GRAIN FINISH RECOMMENDED FOR VERTICAL SURFACES ONLY
- EDGE CONDITIONS (SECTION SHOWN ON SHEET 3, DETAIL 6)
 - WORK SURFACES
 - LAM: SAFEGUARD (T-MOLDED POLYETHYLENE PVC)
 - CE: COMFORT EDGE (URETHANE MOLDED SHAPED EDGE)
 - TF: TRUFORM (THERMOFOIL FORMED TO SURFACE AND EDGE)
 - CL: MACHINE-SHAPED EXPOSED PHENOLIC RESIN CORE
 - VERTICAL PANELS
 - LAM/CE: PVC EDGE-BANDING BLACK OR MATCH SURFACE COLOR
 - TF: THERMOFOIL FORMED TO SURFACE AND EDGE

CABLE CHAIN -2X
 CABLE CHANNEL
 ADJUSTABLE FEET
 REMOVABLE FLOOR PAN
 FASTEN TO FLOOR



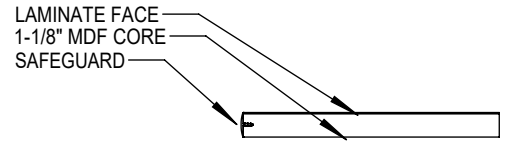
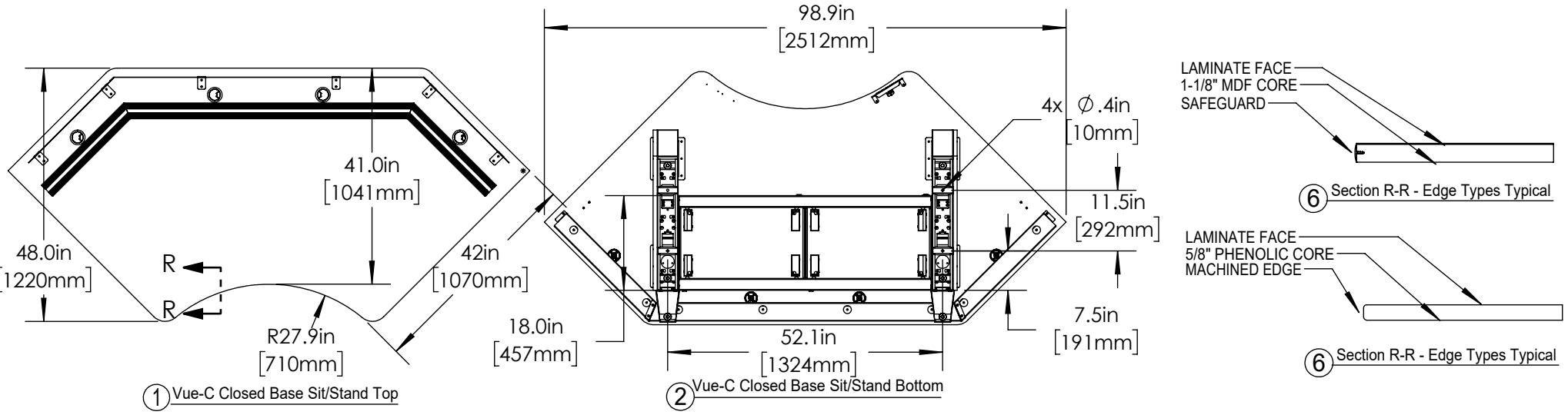
③ Vue-C Closed Base Sit/Stand ISO-Bottom

36550 Vue-C 99" Closed Base Sit-Stand

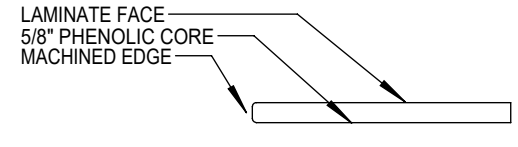
SCALE - NTS

The copyright of this drawing and design is vested solely in the Winsted Corporation. Reproduction of the document, in whole or in part, is prohibited other than with the express permission of the above company.

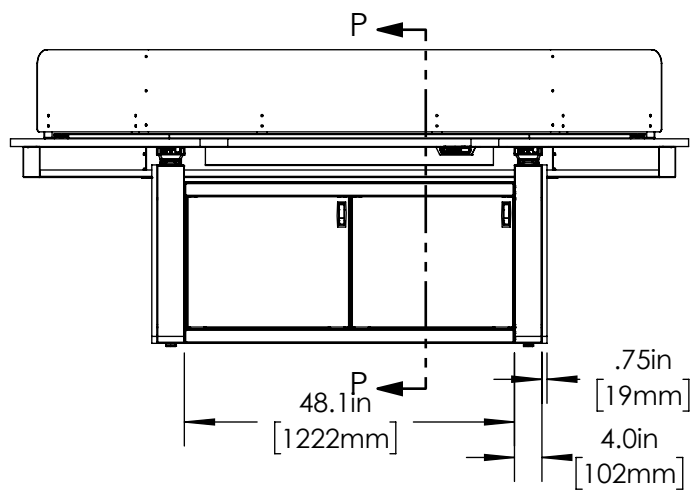




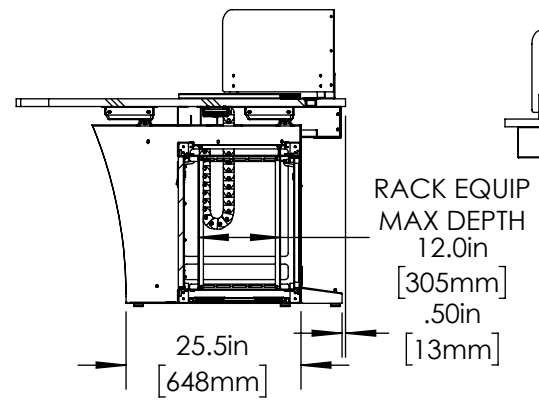
⑥ Section R-R - Edge Types Typical



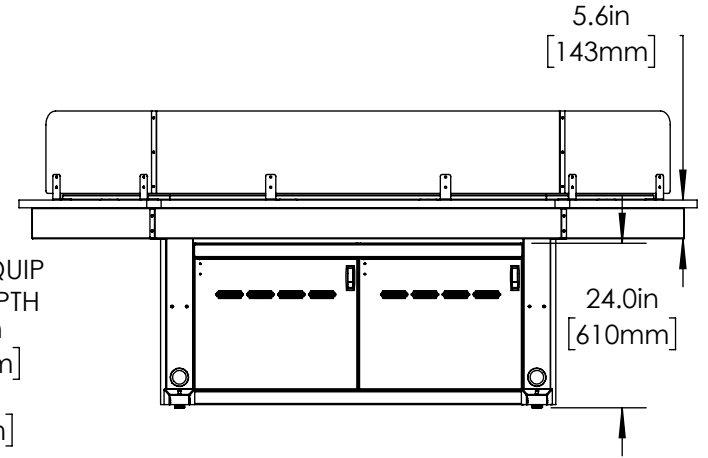
⑥ Section R-R - Edge Types Typical



③ Vue-C Closed Base Sit/Stand Front



④ Section P-P - Vue -C Closed Base Sit/Stand Side



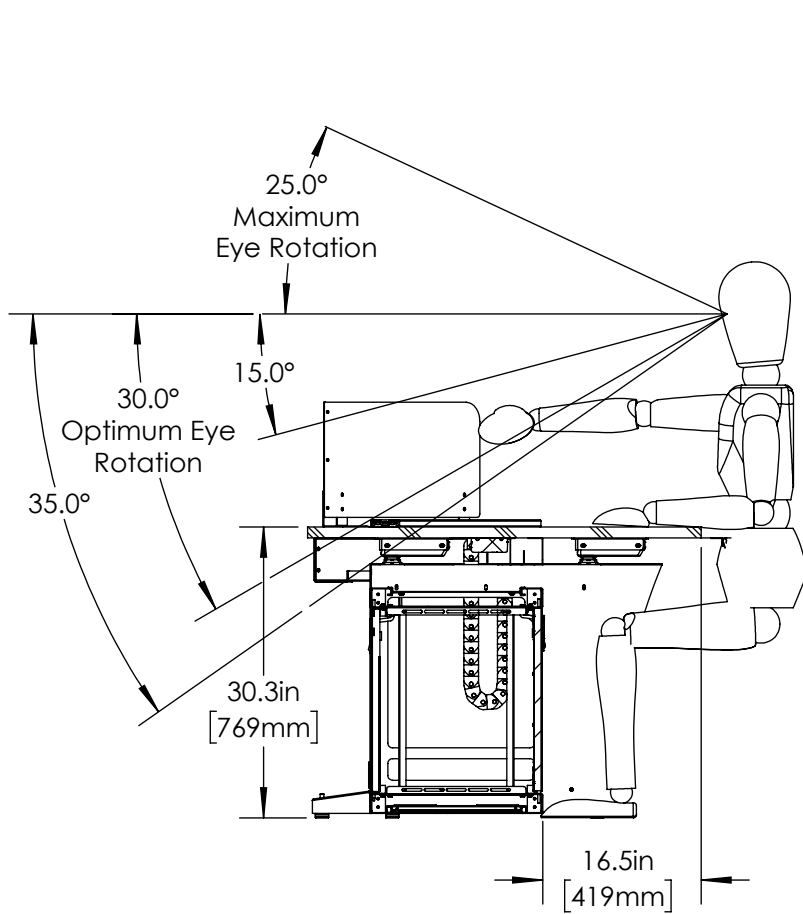
⑤ Vue-C Closed Base Sit/Stand Back

36550 Vue-C 99" Closed Base Sit-Stand

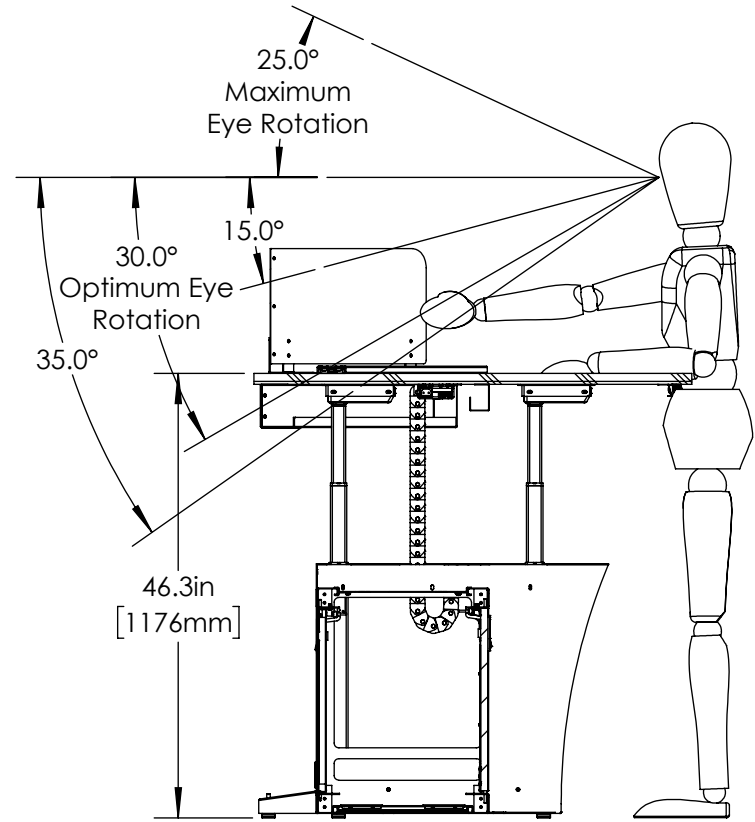
SCALE - NTS

The copyright of this drawing and design is vested solely in the Winsted Corporation. Reproduction of the document, in whole or in part, is prohibited other than with the express permission of the above company.





① Vue-C Closed Base Sit/Stand Ergonomic Detail - Sitting



② Vue-C Closed Base Sit/Stand Ergonomic Detail - Standing



36550 Vue-C 99" Closed Base Sit-Stand Ergonomic Details

SCALE - NTS

The copyright of this drawing and design is vested solely in the Winsted Corporation. Reproduction of the document, in whole or in part, is prohibited other than with the express permission of the above company.

Sheet