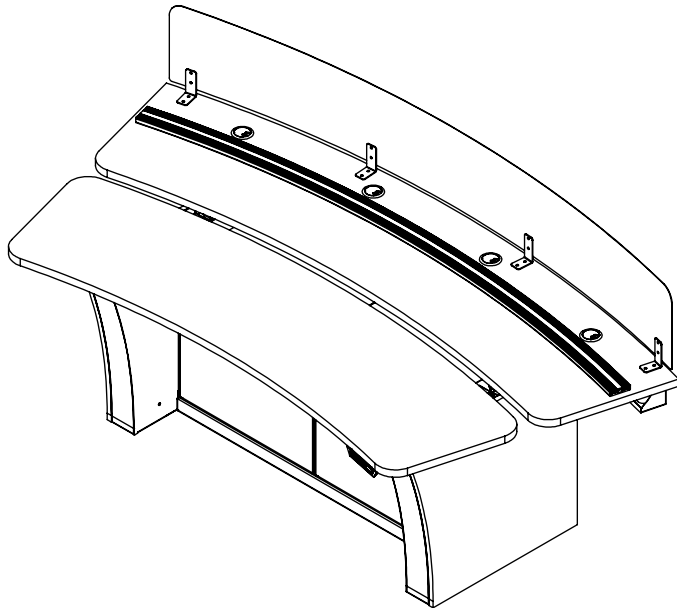


SYSTEM DESCRIPTION

SYSTEM CAPABLE OF SUPPORTING SPECIFIED ELECTRONICS.
 PRE-ENGINEERED MODULAR CONSTRUCTION.
 SUPPLIED KNOCKED-DOWN; ASSEMBLY ACCOMPLISHED WITHOUT NEED FOR WELDING OR MODIFICATIONS.
 CONSTRUCTED OF STEEL SUPERSTRUCTURE FRAMEWORK CONSISTING OF END FRAMES CONNECTED BY HORIZONTAL
 MODESTY PANEL (STEEL SHEET INCORPORATING EASY-ACCESS CABLE RACEWAY).
 TWO 1.5X3IN CABLE MANAGEMENT RACEWAYS PER WORK SURFACE, INTEGRATED CABLE CHANNEL IN BASE.
 QUICK-RELEASE LIFT-OFF ACCESS PANELS LOCATED ON INSIDE OF EACH END FRAME.
 COMPRISED OF STEEL END FRAMES WITH ELECTRIC-LIFT LEGS.
 WORK SURFACES WITH INTEGRATED BLACK ANODIZED ALUMINUM VERSA-TRAK MOUNTING SYSTEM FOR LCD MONITOR
 ARRAYS.
 ELECTRIC LIFT LEGS OPERATE AT 38MM/S AND ACCEPT 90LBS PER COLUMN.
 WORK SURFACE HEIGHT ADJUSTMENT FROM 30 TO 46IN HIGH.



FRAME	<input checked="" type="checkbox"/> 36470	VUE-C 90"		
BASE	<input type="checkbox"/> OPEN	<input checked="" type="checkbox"/> CLOSED	<input checked="" type="checkbox"/> HEIGHT ADJUSTABLE	<input type="checkbox"/> STATIONARY
FINISH	<input checked="" type="checkbox"/> BLACK POWDER COAT			
WORK SURFACE	<input type="checkbox"/> SINGLE	<input checked="" type="checkbox"/> DUAL		
	<input type="checkbox"/> 1-1/8" LAM	<input type="checkbox"/> 1-1/8 CE	<input type="checkbox"/> 1-1/8" TF	<input type="checkbox"/> 5/8" CL
	<input type="checkbox"/> BLACK	<input type="checkbox"/> WHITE	<input type="checkbox"/> GRAY	<input type="checkbox"/> MAPLE <input type="checkbox"/> WALNUT <input type="checkbox"/> OTHER
VERTICAL PANEL	<input type="checkbox"/> 3/4" LAM	<input type="checkbox"/> 3/4" TF		
	<input type="checkbox"/> BLACK	<input type="checkbox"/> WHITE	<input type="checkbox"/> GRAY	<input type="checkbox"/> MAPLE <input type="checkbox"/> WALNUT <input type="checkbox"/> OTHER
LIFTING COLUMNS	<input checked="" type="checkbox"/> TWO SETS OF TWO COLUMNS (4 TOTAL)			
POWER COMPATIBILITY	<input type="checkbox"/> 110v	<input type="checkbox"/> 240v		
PRIVACY PANEL	<input type="checkbox"/> PERFORATED	<input type="checkbox"/> ACOUSTICAL LIGHTING		
CONTROL INTERFACE	<input type="checkbox"/> ANALOG	<input type="checkbox"/> SYNERGY		
FEATURES	<input checked="" type="checkbox"/> CPU SHELF	<input checked="" type="checkbox"/> VERSA-TRAK	<input checked="" type="checkbox"/> 11U BASE RACK CABINET	
	<input checked="" type="checkbox"/> LAMINATE DOORS	<input checked="" type="checkbox"/> STEEL DOORS	<input checked="" type="checkbox"/> LOCKABLE	

WARRANTY

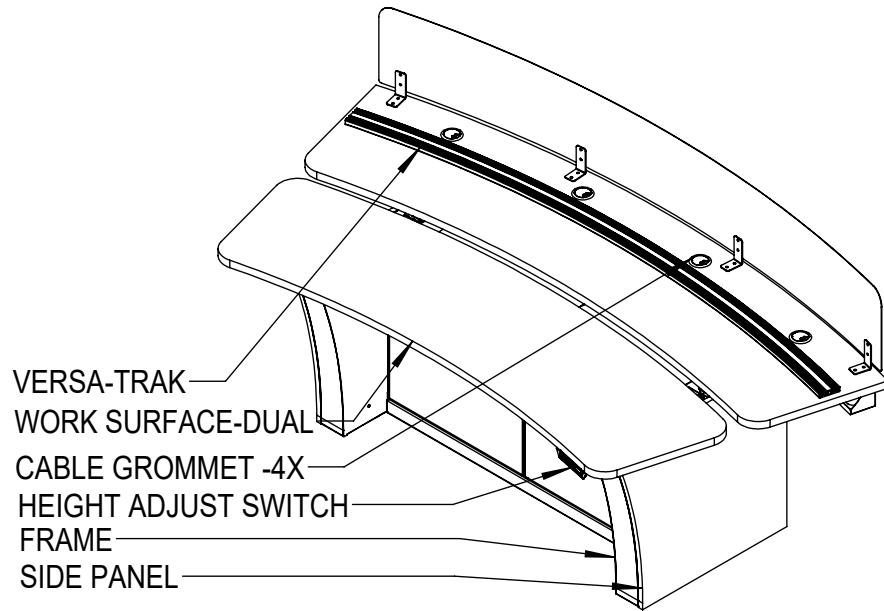
LIMITED LIFETIME WARRANTY ON ALL FIXED STEEL STRUCTURE FRAME COMPONENTS
 10-YEAR WARRANTY ON ADJUSTABLE, SLIDING, OR HINGES COMPONENTS
 10-YEAR WARRANTY ON LAMINATED SURFACES
 5-YEAR WARRANTY ON POWER ACTUATED LIFT MECHANISMS
 2-YEAR WARRANTY ON GENERAL ELECTRICAL COMPONENTS

36470 Vue-C 90" Closed Base Sit-Stand

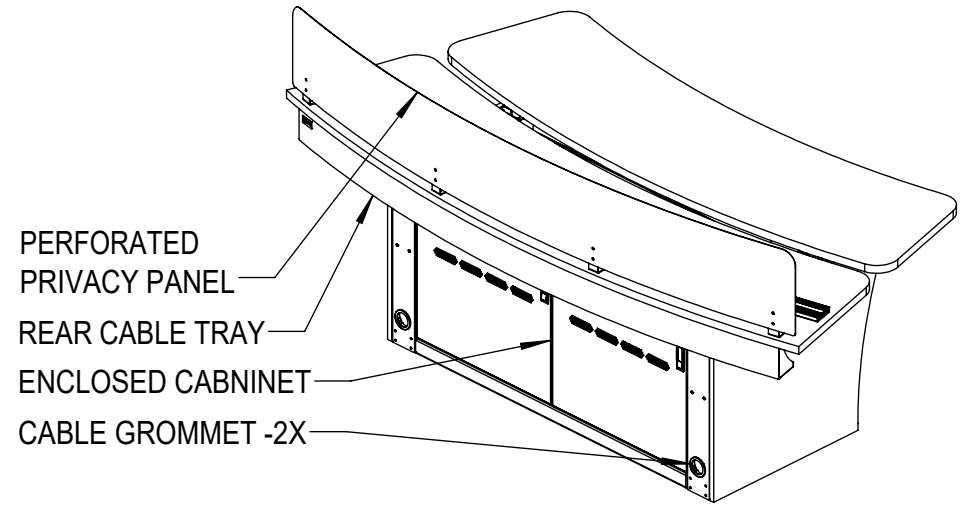
SCALE - NTS

The copyright of this drawing and design is vested solely in the Winsted Corporation. Reproduction of the document, in whole or in part, is prohibited other than with the express permission of the above company.





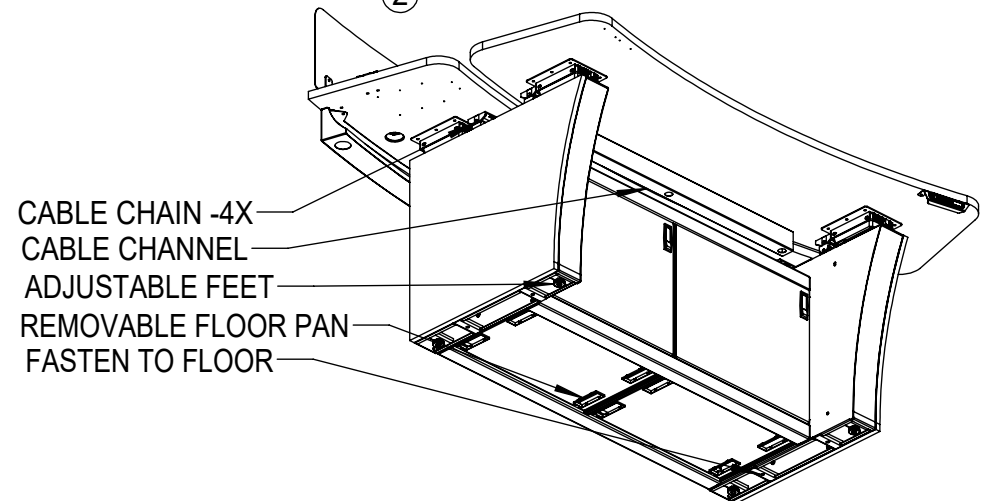
① Vue-C 90" Closed Base Sit/Stand ISO-Front



② Vue-C 90" Closed Base Sit/Stand ISO-Back

NOTES:

- WORK SURFACES AVAILABLE IN:
 - 1-1/8" LAMINATE (LAM), COMFORT EDGE (CE), TRUFORM (TF)
 - 5/8" COMPACT LAMINATE (CL)
- VERTICAL PANELS AVAILABLE IN:
 - 3/4" LAMINATE (LAM)
 - 3/4" TRUFORM (TF)
- APPLIES TO ALL SURFACES:
 - LAMINATE FACE COLORS: BLACK, WHITE, GRAY, MAPLE & WALNUT
 - GRAIN FINISH RECOMMENDED FOR VERTICAL SURFACES ONLY
- EDGE CONDITIONS (SECTION SHOWN ON SHEET 3, DETAIL 6)
 - WORK SURFACES
 - LAM: SAFEGUARD (T-MOLDED POLYETHYLENE PVC)
 - CE: COMFORT EDGE (URETHANE MOLDED SHAPED EDGE)
 - TF: TRUFORM (THERMOFOIL FORMED TO SURFACE AND EDGE)
 - CL: MACHINE-SHAPED EXPOSED PHENOLIC RESIN CORE
 - VERTICAL PANELS
 - LAM/CE: PVC EDGE-BANDING BLACK OR MATCH SURFACE COLOR
 - TF: THERMOFOIL FORMED TO SURFACE AND EDGE



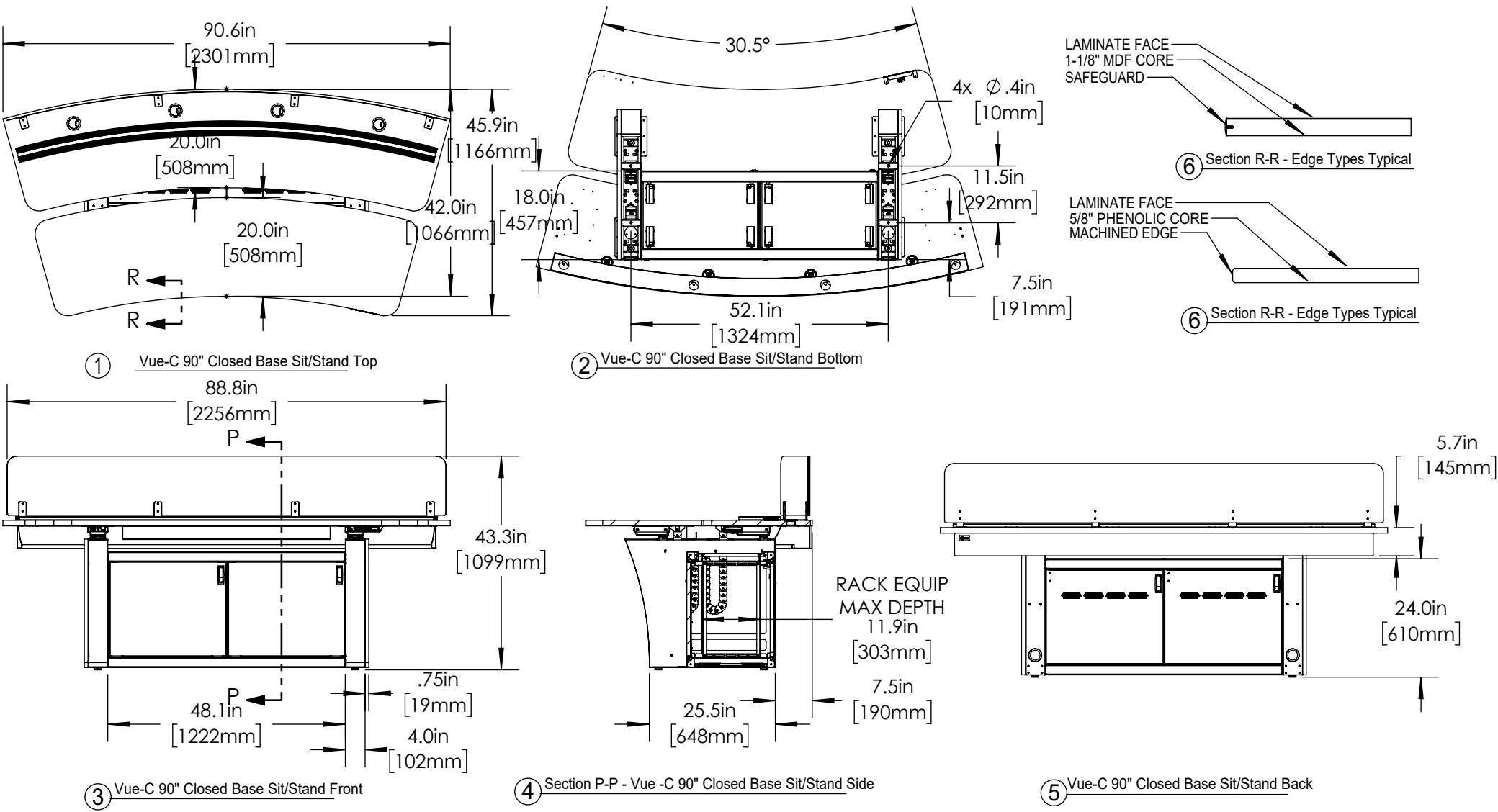
③ Vue-C 90" Closed Base Sit/Stand ISO-Bottom

36470 Vue-C 90" Closed Base Sit-Stand

SCALE - NTS

The copyright of this drawing and design is vested solely in the Winsted Corporation. Reproduction of the document, in whole or in part, is prohibited other than with the express permission of the above company.





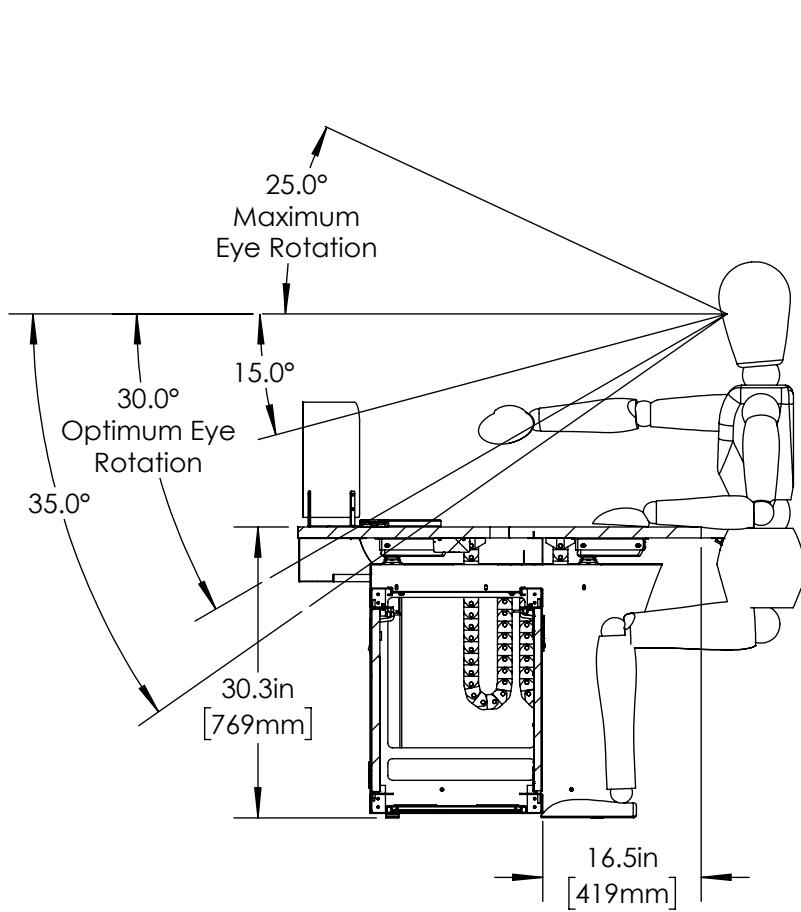
36470 Vue-C 90° Closed Base Sit-Stand

SCALE - NTS

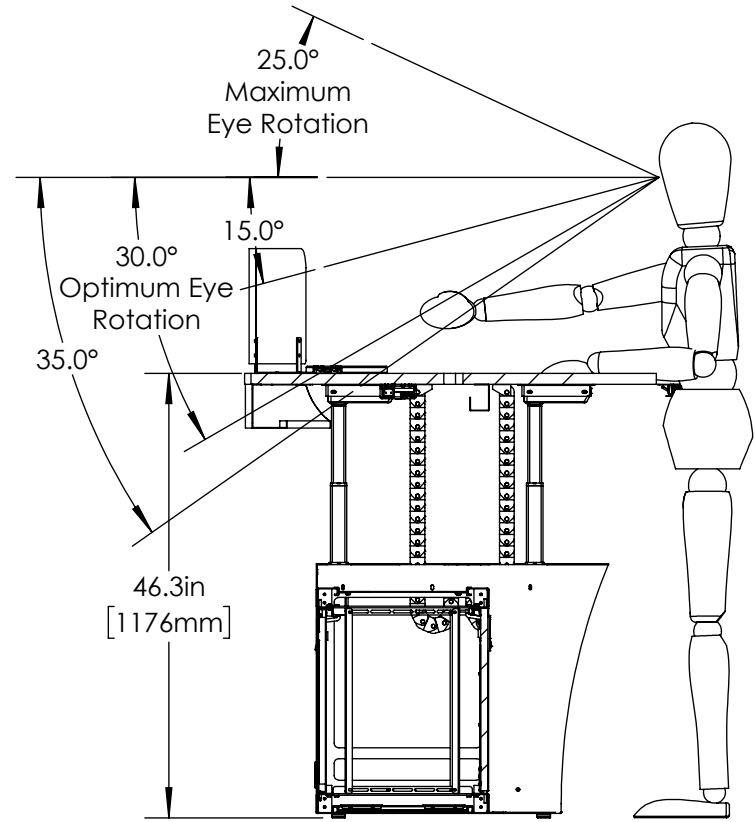
The copyright of this drawing and design is vested solely in the Winsted Corporation. Reproduction of the document, in whole or in part, is prohibited other than with the express permission of the above company.

Sheet

3 / 4



① Vue-C 90" Closed Base Sit/Stand Ergonomic Detail - Sitting



② Vue-C 90" Closed Base Sit/Stand Ergonomic Detail - Standing



36470 Vue-C 90" Closed Base Sit-Stand Ergonomic Details

SCALE - NTS

The copyright of this drawing and design is vested solely in the Winsted Corporation. Reproduction of the document, in whole or in part, is prohibited other than with the express permission of the above company.

Sheet