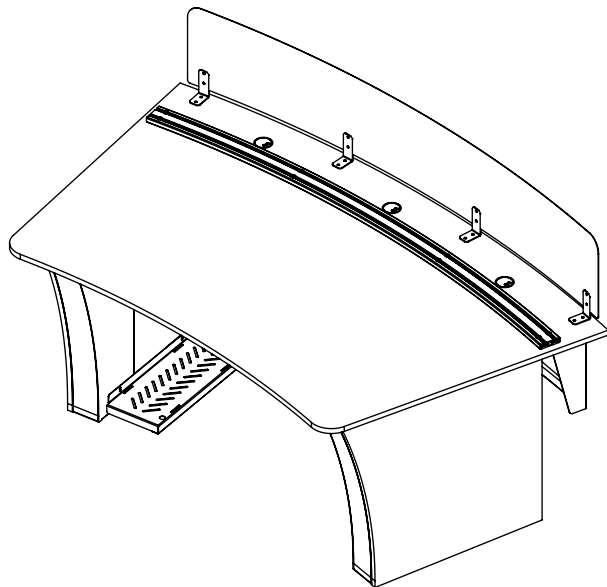


SYSTEM DESCRIPTION

SYSTEM CAPABLE OF SUPPORTING SPECIFIED ELECTRONICS.
 PRE-ENGINEERED MODULAR CONSTRUCTION.
 SUPPLIED KNOCKED-DOWN; ASSEMBLY ACCOMPLISHED WITHOUT NEED FOR WELDING OR MODIFICATIONS.
 CONSTRUCTED OF STEEL SUPERSTRUCTURE FRAMEWORK CONSISTING OF END FRAMES CONNECTED BY HORIZONTAL MODESTY PANEL (STEEL SHEET INCORPORATING EASY-ACCESS CABLE RACEWAY).
 TWO 1.5X3IN CABLE MANAGEMENT RACEWAYS PER WORK SURFACE, INTEGRATED CABLE CHANNEL IN BASE.
 QUICK-RELEASE LIFT-OFF ACCESS PANELS LOCATED ON INSIDE OF EACH END FRAME.
 COMPRISED OF STEEL END FRAMES.
 WORK SURFACES WITH INTEGRATED BLACK ANODIZED ALUMINUM VERSA-TRAK MOUNTING SYSTEM FOR LCD MONITOR ARRAYS.
 WORK SURFACE HEIGHT ADJUSTMENT FROM 30IN THROUGH LEVELING FEET.
 CONVERTIBLE FROM STATIONARY TO SIT-STAND POST INSTALLATION.



- | | | | | | | | |
|-----------------------------|---|--|--|---------------------------------|---------------------------------|--------------------------------|--|
| FRAME | <input checked="" type="checkbox"/> 36310 | VUE P | <input checked="" type="checkbox"/> STATIONARY | | | | |
| BASE | <input checked="" type="checkbox"/> OPEN | | | | | | |
| FINISH | <input checked="" type="checkbox"/> BLACK POWDER COAT | | | | | | |
| WORK SURFACE | <input checked="" type="checkbox"/> SINGLE | <input type="checkbox"/> 5/8" COMPACT LAMINATE | <input type="checkbox"/> MAPLE | <input type="checkbox"/> WALNUT | <input type="checkbox"/> OTHER | | |
| | <input type="checkbox"/> 3/4" MDF | <input type="checkbox"/> WHITE | <input type="checkbox"/> GRAY | | | | |
| END PANELS* | <input type="checkbox"/> BLACK | <input type="checkbox"/> 3/4" MDF | <input type="checkbox"/> MAPLE | <input type="checkbox"/> WALNUT | <input type="checkbox"/> OTHER | | |
| *MCF not available in Maple | <input type="checkbox"/> 3/4" MCF | <input type="checkbox"/> WHITE | <input type="checkbox"/> GRAY | <input type="checkbox"/> MAPLE | <input type="checkbox"/> WALNUT | <input type="checkbox"/> OTHER | |
| POWER COMPATIBILITY | <input type="checkbox"/> BLACK | <input type="checkbox"/> WHITE | <input type="checkbox"/> GRAY | <input type="checkbox"/> MAPLE | <input type="checkbox"/> WALNUT | <input type="checkbox"/> OTHER | |
| PRIVACY PANEL | <input type="checkbox"/> 110v | <input type="checkbox"/> 240v | | | | | |
| CONTROL INTERFACE | <input type="checkbox"/> PERFORATED | <input type="checkbox"/> ACOUSTICAL LIGHTING | | | | | |
| FEATURES | <input type="checkbox"/> ANALOG | <input type="checkbox"/> SYNERGY | | | | | |
| | <input checked="" type="checkbox"/> CPU PEDESTAL | | | | | | |
| | <input checked="" type="checkbox"/> VERSA-TRAK | | | | | | |

WARRANTY

LIMITED LIFETIME WARRANTY ON ALL FIXED STEEL STRUCTURE FRAME COMPONENTS
 10-YEAR WARRANTY ON ADJUSTABLE, SLIDING, OR HINGES COMPONENTS
 10-YEAR WARRANTY ON LAMINATED SURFACES
 5-YEAR WARRANTY ON POWER ACTUATED LIFT MECHANISMS
 2-YEAR WARRANTY ON GENERAL ELECTRICAL COMPONENTS



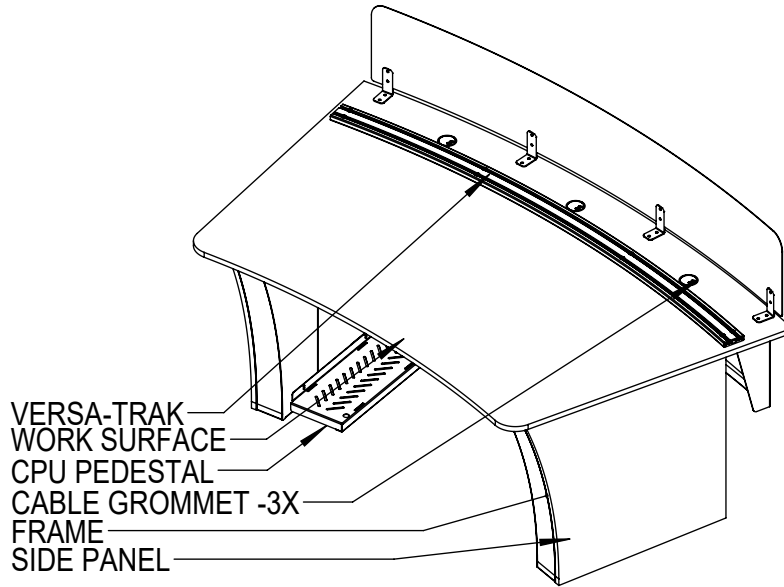
36310 Vue P Open Base Stationary

SCALE - NTS

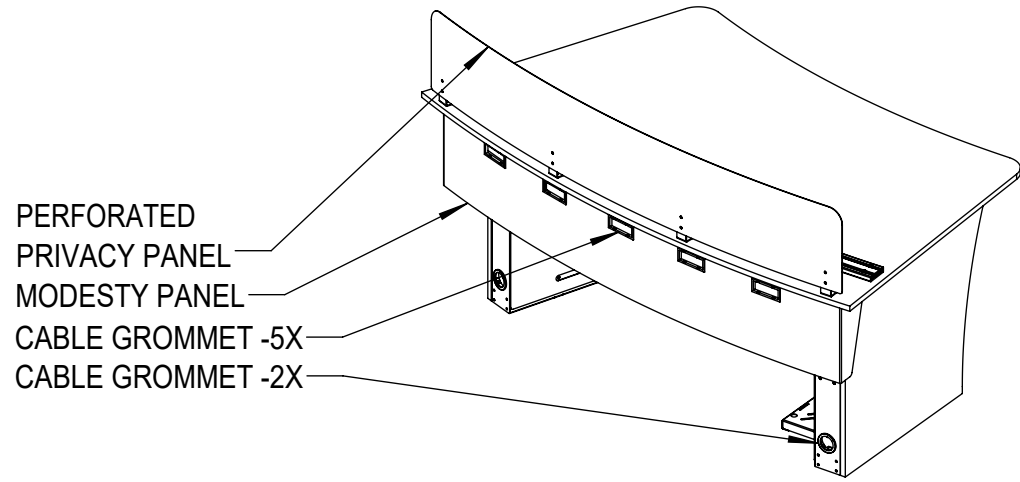
The copyright of this drawing and design is vested solely in the Winsted Corporation. Reproduction of the document, in whole or in part, is prohibited other than with the express permission of the above company.

Sheet

1 / 4



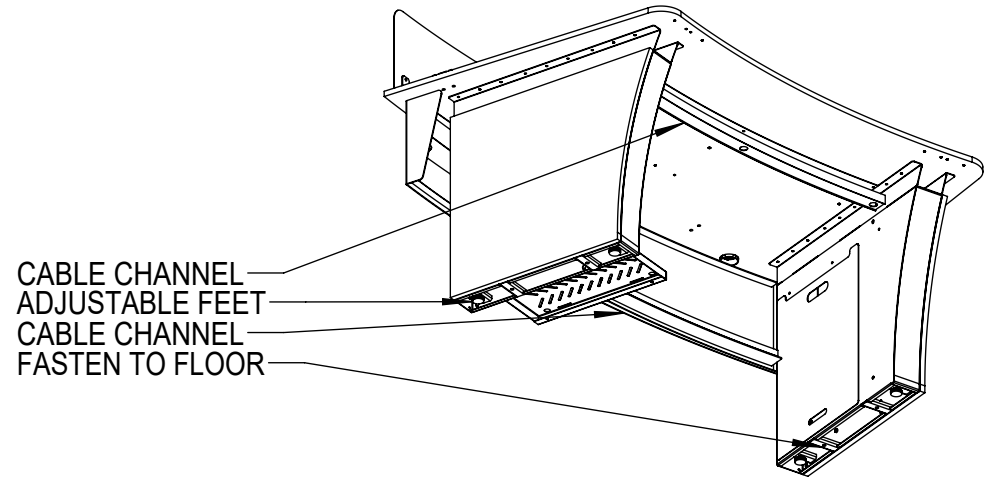
① Vue P Open Base Stationary ISO-Front



② Vue P Open Base Stationary ISO-Back

NOTES:

- WORK SURFACES AVAILABLE IN 3/4" MDF OR 5/8" COMPACT LAMINATE (CL) CORE
- END PANELS AVAILABLE IN 3/4" MCF AND 3/4" MDF CORE
- APPLIES TO ALL SURFACES:
 - LAMINATE FACE COLORS ARE BLACK, WHITE, GRAY, MAPLE & WALNUT
 - MDF CUSTOM COLOR OPTIONS; REQUIRE CONTROL SAMPLE TO MATCH
 - CL CUSTOM COLORS MUST BE FROM FORMICA COLORECORE SERIES
 - MCF NOT AVAILABLE IN MAPLE
 - ARCHITECT TO SPECIFY GRAIN DIRECTION FOR MAPLE & WALNUT
- EDGE CONDITIONS (SECTION SHOWN ON SHEET 3, DETAIL 6)
 - WORK SURFACES
 - MDF: SAFEGUARD (T-MOLDED POLYETHYLENE PVC)
 - CL: MACHINE-SHAPED EXPOSED PHENOLIC RESIN CORE
 - PANELS
 - MCF: PVC EDGE-BANDING TO MATCH SURFACE COLOR
 - MDF: PVC EDGE-BANDING TO MATCH SURFACE COLOR



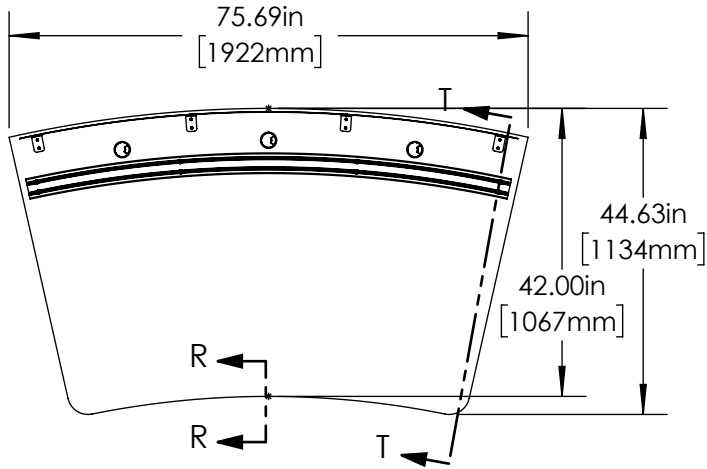
③ Vue P Open Base Stationary ISO-Bottom



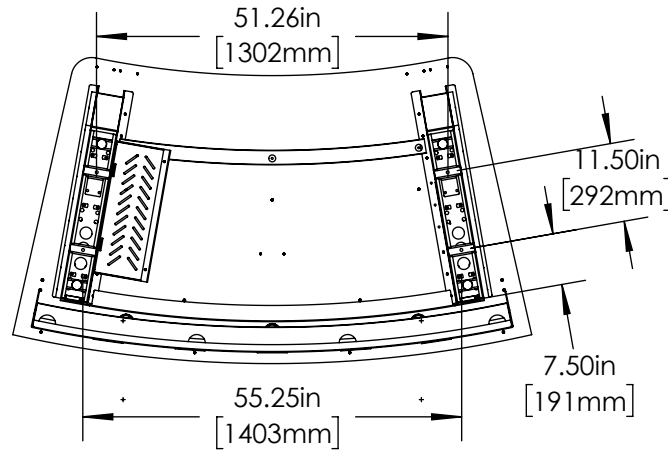
36310 Vue P Open Base Stationary

SCALE - NTS

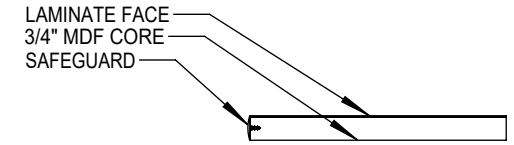
The copyright of this drawing and design is vested solely in the Winsted Corporation. Reproduction of the document, in whole or in part, is prohibited other than with the express permission of the above company.



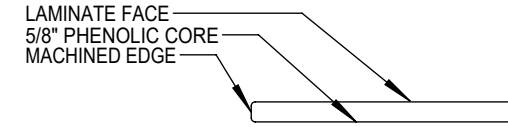
① Vue P Open Base Stationary Top



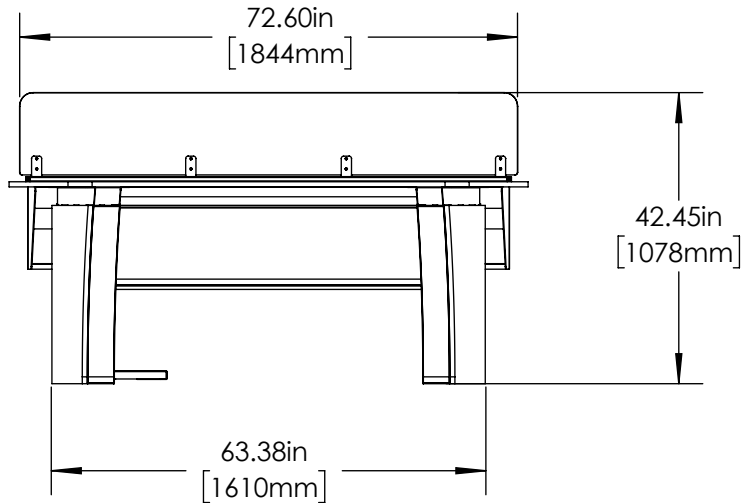
② Vue P Open Base Stationary Bottom



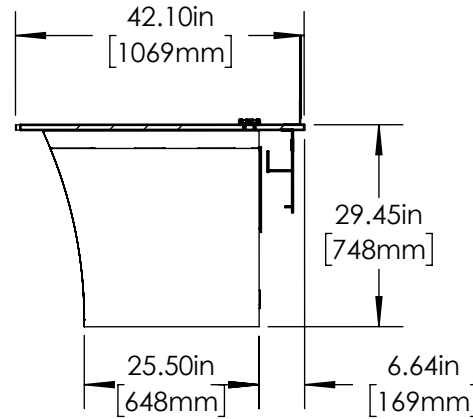
⑥ Section R-R - Edge Types Typical



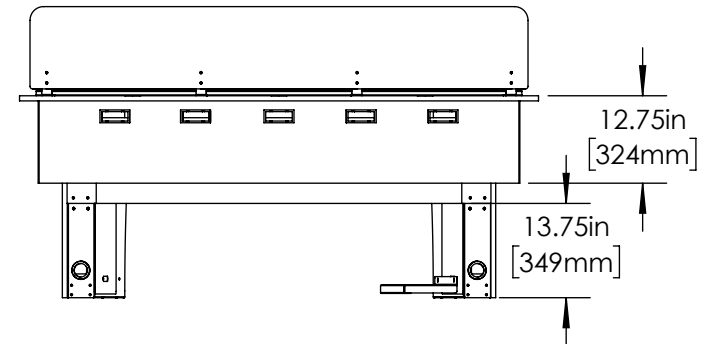
⑥ Section R-R - Edge Types Typical



③ Vue P Open Base Stationary Front



④ Section T-T - Vue P Open Base Stationary Side



⑤ Vue P Open Base Sit/Stand Back



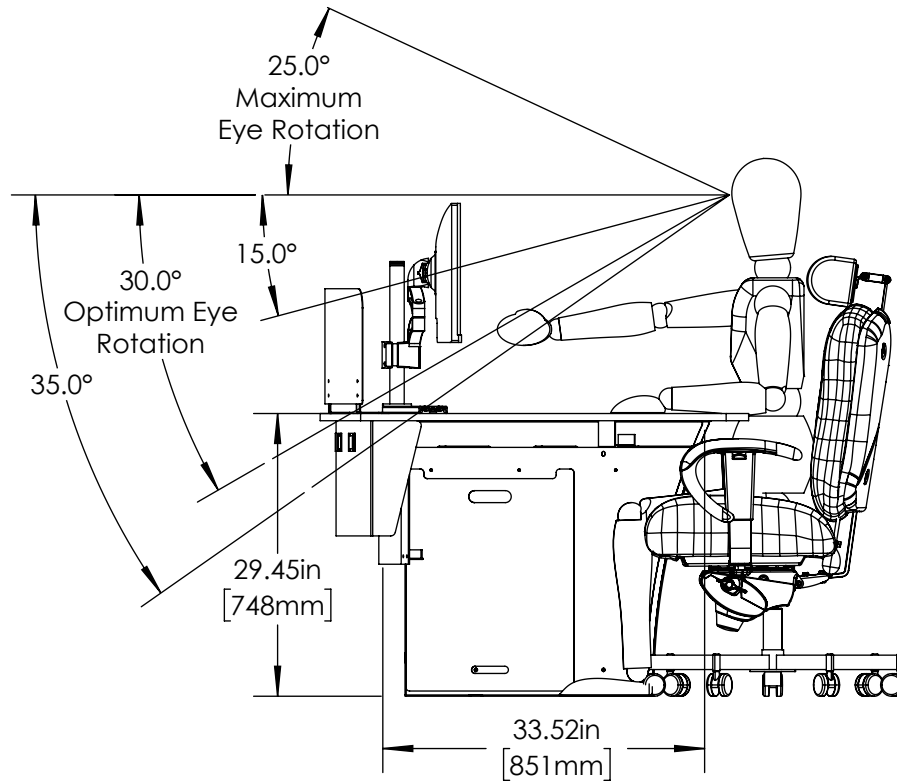
36310 Vue P Open Base Stationary

SCALE - NTS

The copyright of this drawing and design is vested solely in the Winsted Corporation. Reproduction of the document, in whole or in part, is prohibited other than with the express permission of the above company.

Sheet

3 / 4



① Vue P Open Base Stationary Ergonomic Detail - Sitting



36310 Vue P Open Base Stationary Ergonomic Details

SCALE - NTS

The copyright of this drawing and design is vested solely in the Winsted Corporation. Reproduction of the document, in whole or in part, is prohibited other than with the express permission of the above company.

Sheet

4 / 4