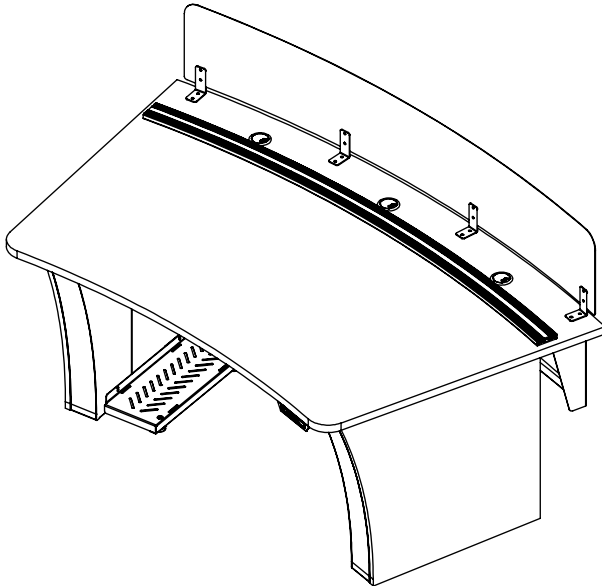


SYSTEM DESCRIPTION

SYSTEM CAPABLE OF SUPPORTING SPECIFIED ELECTRONICS.  
 PRE-ENGINEERED MODULAR CONSTRUCTION.  
 SUPPLIED KNOCKED-DOWN; ASSEMBLY ACCOMPLISHED WITHOUT NEED FOR WELDING OR MODIFICATIONS.  
 CONSTRUCTED OF STEEL SUPERSTRUCTURE FRAMEWORK CONSISTING OF END FRAMES CONNECTED BY HORIZONTAL  
 MODESTY PANEL (STEEL SHEET INCORPORATING EASY-ACCESS CABLE RACEWAY).  
 TWO 1.5X3IN CABLE MANAGEMENT RACEWAYS PER WORK SURFACE, INTEGRATED CABLE CHANNEL IN BASE.  
 QUICK-RELEASE LIFT-OFF ACCESS PANELS LOCATED ON INSIDE OF EACH END FRAME.  
 COMPRISED OF STEEL END FRAMES WITH ELECTRIC-LIFT LEGS.  
 WORK SURFACES WITH INTEGRATED BLACK ANODIZED ALUMINUM VERSA-TRAK MOUNTING SYSTEM FOR LCD MONITOR  
 ARRAYS.  
 ELECTRIC LIFT LEGS OPERATE AT 38MM/S AND ACCEPT 90LBS PER COLUMN.  
 WORK SURFACE HEIGHT ADJUSTMENT FROM 30 TO 46IN HIGH.



- |                     |   |  |                                    |   |                                     |
|---------------------|---|--|------------------------------------|---|-------------------------------------|
| FRAME               | <input checked="" type="checkbox"/> 36300                             | VUE-C 75"                                    | <input type="checkbox"/> CLOSED    | <input checked="" type="checkbox"/> HEIGHT ADJUSTABLE | <input type="checkbox"/> STATIONARY |
| BASE                | <input checked="" type="checkbox"/> OPEN                              |  |                                    |   |                                     |
| FINISH              | <input checked="" type="checkbox"/> BLACK POWDER COAT                 |  |                                    |   |                                     |
| WORK SURFACE        | <input checked="" type="checkbox"/> SINGLE                            | <input type="checkbox"/> DUAL                |                                    |   |                                     |
|                     | <input type="checkbox"/> 1-1/8" LAM                                   | <input type="checkbox"/> 1-1/8" CE           | <input type="checkbox"/> 1-1/8" TF | <input type="checkbox"/> 5/8" CL                      |                                     |
|                     | <input type="checkbox"/> BLACK  | <input type="checkbox"/> WHITE               | <input type="checkbox"/> GRAY      | <input type="checkbox"/> MAPLE                        | <input type="checkbox"/> WALNUT     |
| VERTICAL PANEL      | <input type="checkbox"/> 3/4" LAM                                     | <input type="checkbox"/> 3/4" TF             |                                    |   | <input type="checkbox"/> OTHER      |
|                     | <input type="checkbox"/> BLACK  | <input type="checkbox"/> WHITE               | <input type="checkbox"/> GRAY      | <input type="checkbox"/> MAPLE                        | <input type="checkbox"/> WALNUT     |
| LIFTING COLUMNS     | <input checked="" type="checkbox"/> TWO SETS OF TWO COLUMNS (4 TOTAL) |  |                                    |   |                                     |
| POWER COMPATIBILITY | <input type="checkbox"/> 110v   | <input type="checkbox"/> 240v                |                                    |   |                                     |
| PRIVACY PANEL       | <input type="checkbox"/> PERFORATED                                   | <input type="checkbox"/> ACOUSTICAL LIGHTING |                                    |   |                                     |
| CONTROL INTERFACE   | <input type="checkbox"/> ANALOG                                       | <input type="checkbox"/> SYNERGY             |                                    |   |                                     |
| FEATURES            | <input checked="" type="checkbox"/> CPU PEDESTAL                      |  |                                    |   |                                     |
|                     | <input checked="" type="checkbox"/> VERSA-TRAK                        |  |                                    |   |                                     |

WARRANTY

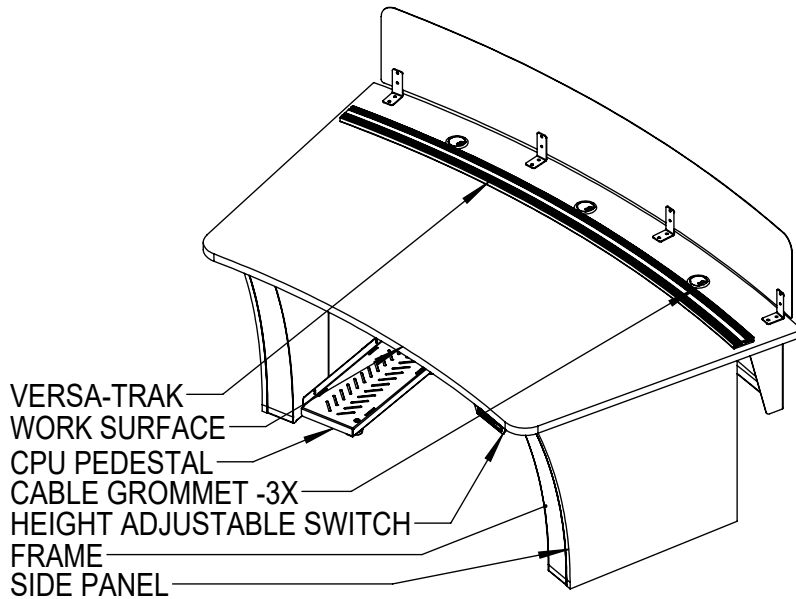
LIMITED LIFETIME WARRANTY ON ALL FIXED STEEL STRUCTURE FRAME COMPONENTS  
 10-YEAR WARRANTY ON ADJUSTABLE, SLIDING, OR HINGES COMPONENTS  
 10-YEAR WARRANTY ON LAMINATED SURFACES  
 5-YEAR WARRANTY ON POWER ACTUATED LIFT MECHANISMS  
 2-YEAR WARRANTY ON GENERAL ELECTRICAL COMPONENTS

# 36300 Vue-C 75" Open Base Sit-Stand

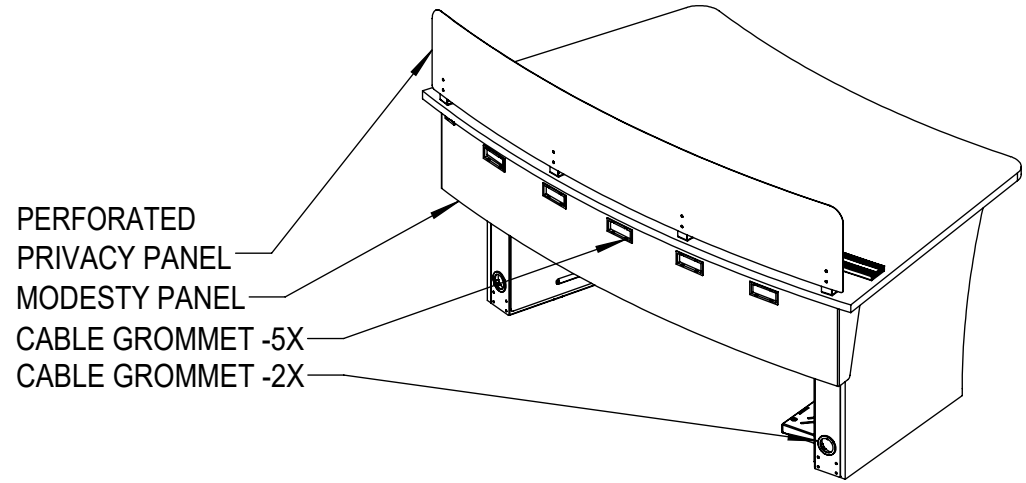
SCALE - NTS

The copyright of this drawing and design is vested solely in the Winsted Corporation. Reproduction of the document, in whole or in part, is prohibited other than with the express permission of the above company.





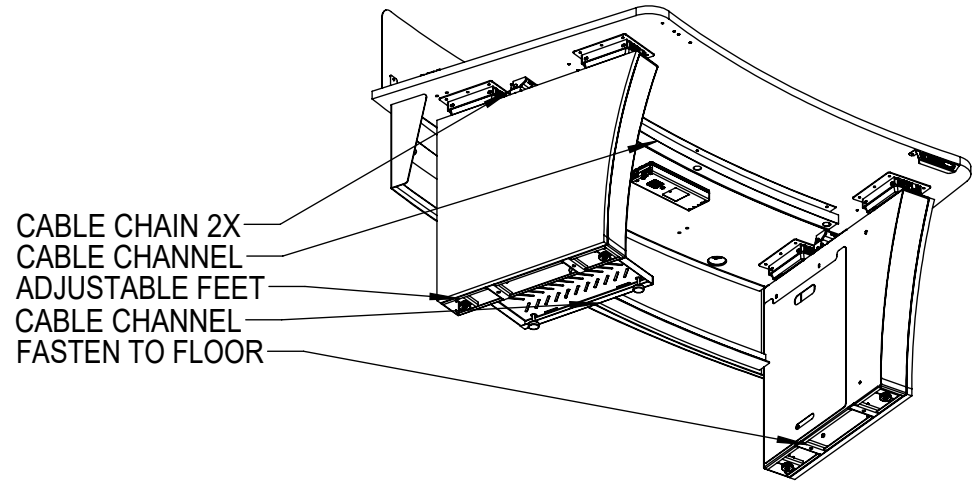
① Vue-C 75" Open Base Sit/Stand ISO-Front



② Vue-c 75" Open Base Sit/Stand ISO-Back

NOTES:

- WORK SURFACES AVAILABLE IN:
  - 1-1/8" LAMINATE (LAM), COMFORT EDGE (CE), TRUFORM (TF)
  - 5/8" COMPACT LAMINATE (CL)
- VERTICAL PANELS AVAILABLE IN:
  - 3/4" LAM INATE (LAM)
  - 3/4" TRUFORM (TF)
- APPLIES TO ALL SURFACES:
  - LAMINATE FACE COLORS: BLACK, WHITE, GRAY, MAPLE & WALNUT
  - GRAIN FINISH RECOMENDED FOR VERTICAL SURFACES ONLY
- EDGE CONDITIONS (SECTION SHOWN ON SHEET 3, DETAIL 6)
  - WORK SURFACES
    - LAM: SAFEGUARD (T-MOLDED POLYETHYLENE PVC)
    - CE: COMFORT EDGE (URETHANE MOLDED SHAPED EDGE)
    - TF: TRUFORM (THERMOFOIL FORMED TO SURFACE AND EDGE)
    - CL: MACHINE-SHAPED EXPOSED PHENOLIC RESIN CORE
  - VERTICAL PANELS
    - LAM/CE: PVC EDGE-BANDING BLACK OR MATCH SURFACE COLOR
    - TF: THERMOFOIL FORMED TO SURFACE AND EDGE



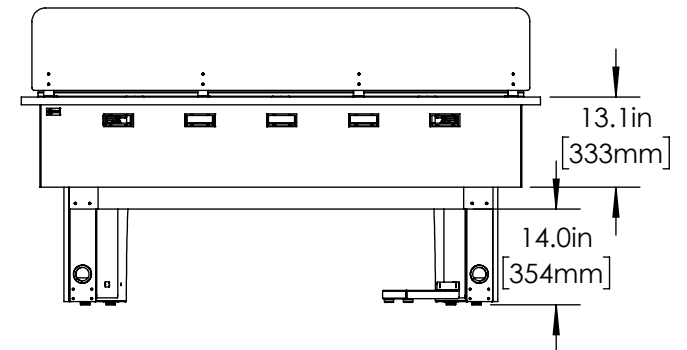
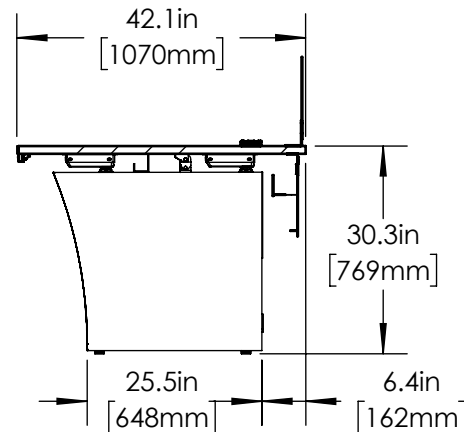
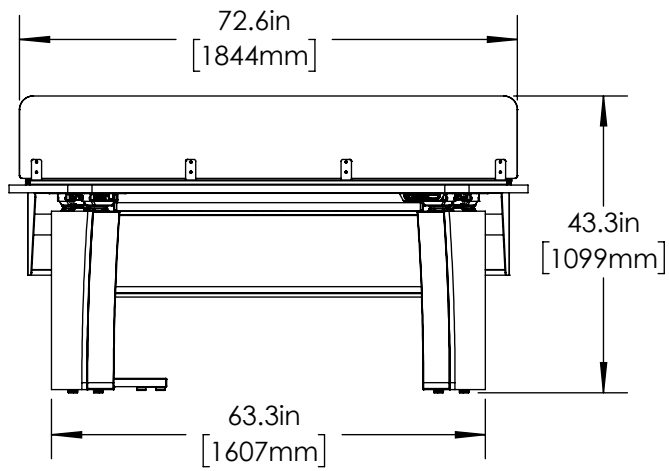
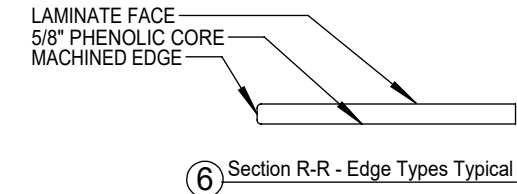
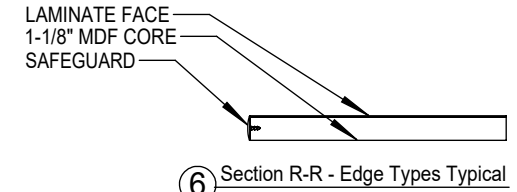
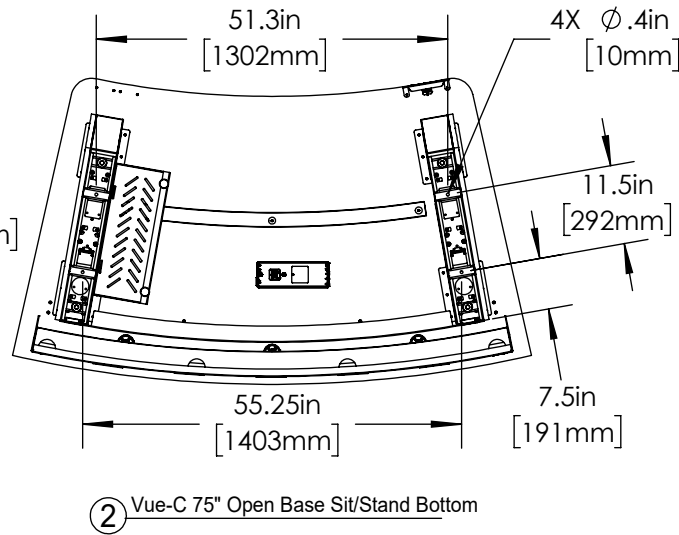
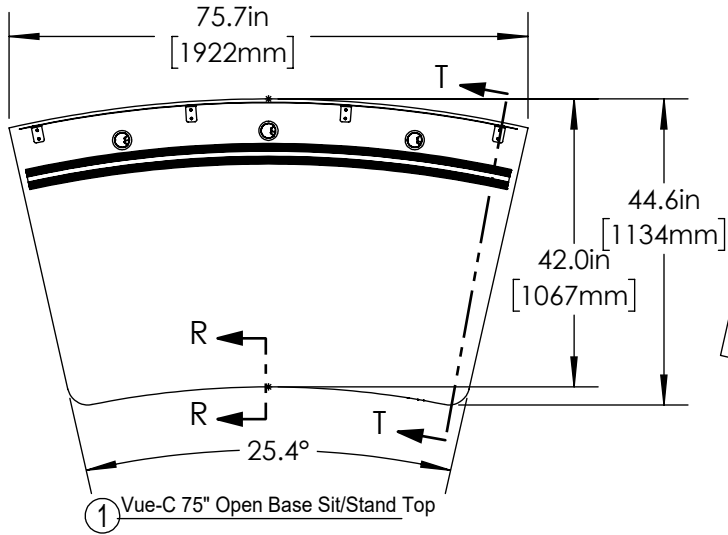
③ Vue-C 75" Open Base Sit/Stand ISO-Bottom



# 36300 Vue-C 75" Open Base Sit-Stand

SCALE - NTS

The copyright of this drawing and design is vested solely in the Winsted Corporation. Reproduction of the document, in whole or in part, is prohibited other than with the express permission of the above company.



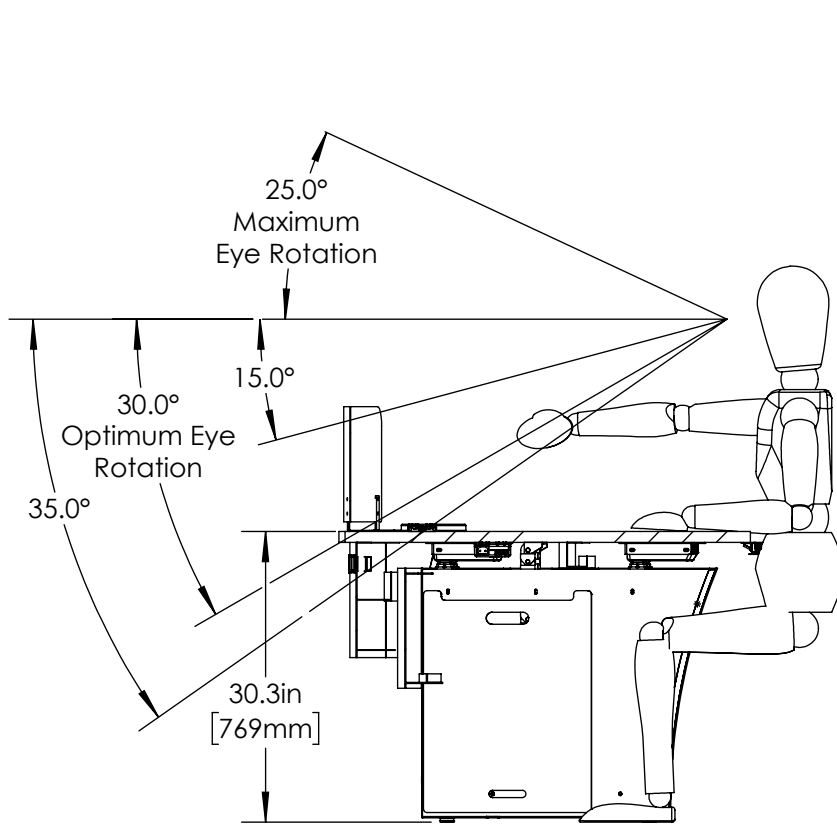
# 36300 Vue-C 75" Open Base Sit-Stand

SCALE - NTS

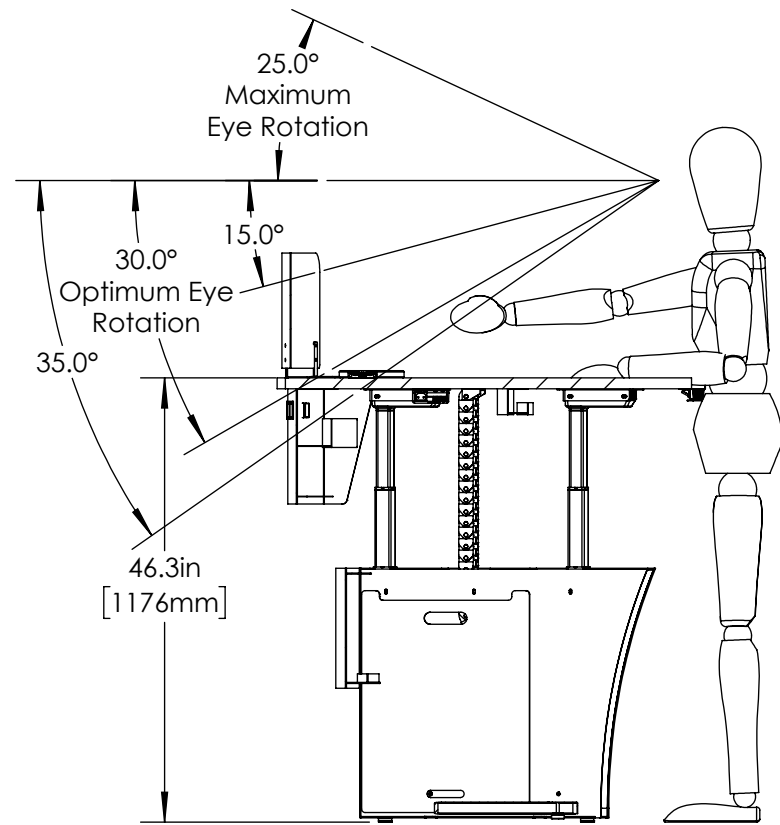
The copyright of this drawing and design is vested solely in the Winsted Corporation. Reproduction of the document, in whole or in part, is prohibited other than with the express permission of the above company.

Sheet

3 / 4



① Vue-C 75" Open Base Sit/Stand Ergonomic Detail - Sitting



② Vue-C 75" Open Base Sit/Stand Ergonomic Detail - Standing



# 36300 Vue-C 75" Open Base Sit-Stand Ergonomic Details

SCALE - NTS

The copyright of this drawing and design is vested solely in the Winsted Corporation. Reproduction of the document, in whole or in part, is prohibited other than with the express permission of the above company.

Sheet