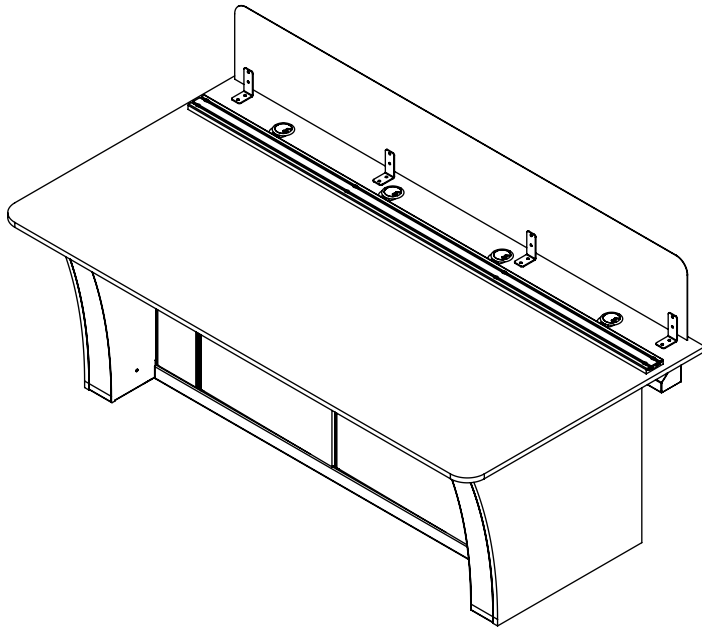


SYSTEM DESCRIPTION

SYSTEM CAPABLE OF SUPPORTING SPECIFIED ELECTRONICS.
 PRE-ENGINEERED MODULAR CONSTRUCTION.
 SUPPLIED KNOCKED-DOWN; ASSEMBLY ACCOMPLISHED WITHOUT NEED FOR WELDING OR MODIFICATIONS.
 CONSTRUCTED OF STEEL SUPERSTRUCTURE FRAMEWORK CONSISTING OF END FRAMES CONNECTED BY HORIZONTAL MODESTY PANEL (STEEL SHEET INCORPORATING EASY-ACCESS CABLE RACEWAY).
 TWO 1.5X3IN CABLE MANAGEMENT RACEWAYS PER WORK SURFACE, INTEGRATED CABLE CHANNEL IN BASE.
 QUICK-RELEASE LIFT-OFF ACCESS PANELS LOCATED ON INSIDE OF EACH END FRAME.
 COMPRISED OF STEEL END FRAMES.
 WORK SURFACES WITH INTEGRATED BLACK ANODIZED ALUMINUM VERSA-TRAK MOUNTING SYSTEM FOR LCD MONITOR ARRAYS.
 WORK SURFACE HEIGHT ADJUSTMENT FROM 30IN THROUGH LEVELING FEET.
 CONVERTIBLE FROM STATIONARY TO SIT-STAND POST INSTALLATION.



FRAME	<input checked="" type="checkbox"/> 36260	<input checked="" type="checkbox"/> VUE X				
BASE	<input checked="" type="checkbox"/> CLOSED	<input checked="" type="checkbox"/> STATIONARY				
FINISH	<input checked="" type="checkbox"/> BLACK POWDER COAT					
WORK SURFACE	<input checked="" type="checkbox"/> SINGLE					
	<input type="checkbox"/> 3/4" MDF	<input type="checkbox"/> 5/8" COMPACT LAMINATE				
END PANELS*	<input type="checkbox"/> BLACK	<input type="checkbox"/> WHITE	<input type="checkbox"/> GRAY	<input type="checkbox"/> MAPLE	<input type="checkbox"/> WALNUT	<input type="checkbox"/> OTHER
<i>*MCF not available in Maple</i>	<input type="checkbox"/> 3/4" MCF	<input type="checkbox"/> 3/4" MDF				
POWER COMPATIBILITY	<input type="checkbox"/> BLACK	<input type="checkbox"/> WHITE	<input type="checkbox"/> GRAY	<input type="checkbox"/> MAPLE	<input type="checkbox"/> WALNUT	<input type="checkbox"/> OTHER
PRIVACY PANEL	<input type="checkbox"/> 110v	<input type="checkbox"/> 240v				
CONTROL INTERFACE	<input type="checkbox"/> PERFORATED	<input type="checkbox"/> ACOUSTICAL LIGHTING				
FEATURES	<input type="checkbox"/> ANALOG	<input type="checkbox"/> SYNERGY				
	<input checked="" type="checkbox"/> CPU SHELF					
	<input checked="" type="checkbox"/> VERSA-TRAK					
	<input checked="" type="checkbox"/> LAMINATE FRONT DOORS	<input checked="" type="checkbox"/> SOFT TOUCH LATCH	<input checked="" type="checkbox"/> LOCKABLE			
	<input checked="" type="checkbox"/> STEEL VENTED REAR DOORS	<input checked="" type="checkbox"/> SOFT TOUCH LATCH	<input checked="" type="checkbox"/> LOCKABLE			
	<input checked="" type="checkbox"/> 11U RACKING BASE CABINET					

WARRANTY

LIMITED LIFETIME WARRANTY ON ALL FIXED STEEL STRUCTURE FRAME COMPONENTS
 10-YEAR WARRANTY ON ADJUSTABLE, SLIDING, OR HINGES COMPONENTS
 10-YEAR WARRANTY ON LAMINATED SURFACES
 5-YEAR WARRANTY ON POWER ACTUATED LIFT MECHANISMS
 2-YEAR WARRANTY ON GENERAL ELECTRICAL COMPONENTS



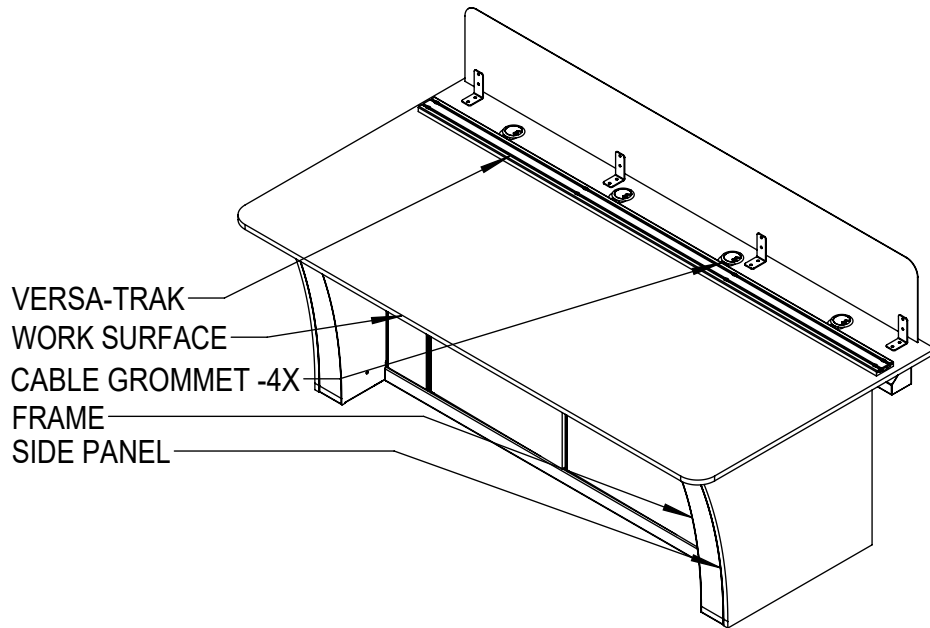
36260 Vue X Closed Base Stationary

SCALE - NTS

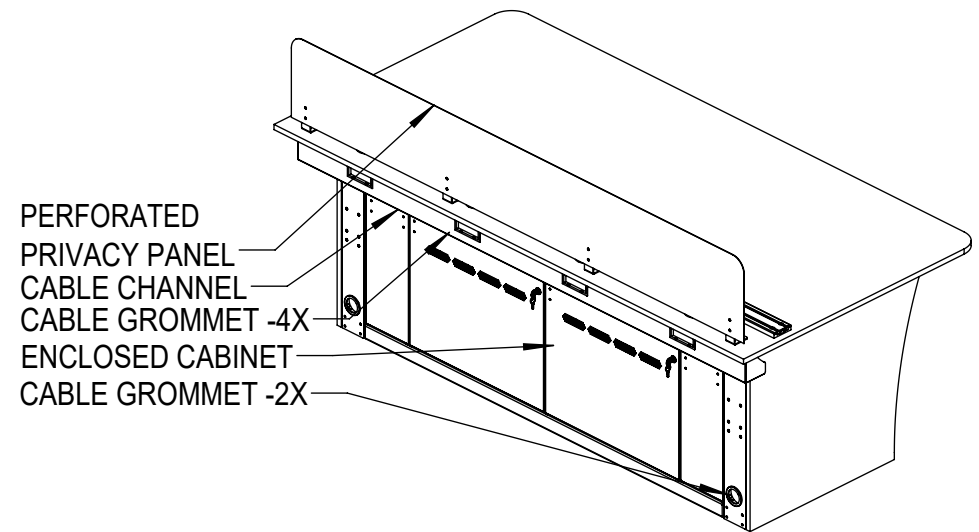
The copyright of this drawing and design is vested solely in the Winsted Corporation. Reproduction of the document, in whole or in part, is prohibited other than with the express permission of the above company.

Sheet

1 / 4



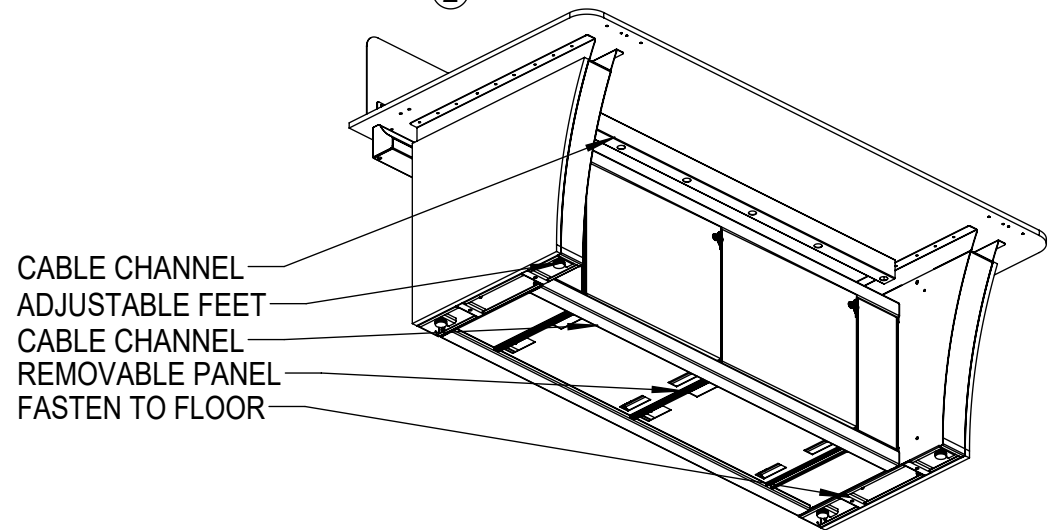
① Vue X Closed Base Stationary ISO-Front



② Vue X Closed Base Stationary ISO-Back

NOTES:

- WORK SURFACES AVAILABLE IN 3/4" MDF OR 5/8" COMPACT LAMINATE (CL) CORE
- END PANELS AND DOORS AVAILABLE IN 3/4" MCF AND 3/4" MDF CORE
- APPLIES TO ALL SURFACES:
 - LAMINATE FACE COLORS ARE BLACK, WHITE, GRAY, MAPLE & WALNUT
 - MDF CUSTOM COLOR OPTIONS; REQUIRE CONTROL SAMPLE TO MATCH
 - CL CUSTOM COLORS MUST BE FROM FORMICA COLORECORE SERIES
 - MCF NOT AVAILABLE IN MAPLE
 - ARCHITECT TO SPECIFY GRAIN DIRECTION FOR MAPLE & WALNUT
- EDGE CONDITIONS (SECTION SHOWN ON SHEET 3, DETAIL 6)
 - WORK SURFACES
 - MDF: SAFEGUARD (T-MOLDED POLYETHYLENE PVC)
 - CL: MACHINE-SHAPED EXPOSED PHENOLIC RESIN CORE
 - PANELS AND DOORS:
 - MCF: PVC EDGE-BANDING TO MATCH SURFACE COLOR
 - MDF: PVC EDGE-BANDING TO MATCH SURFACE COLOR



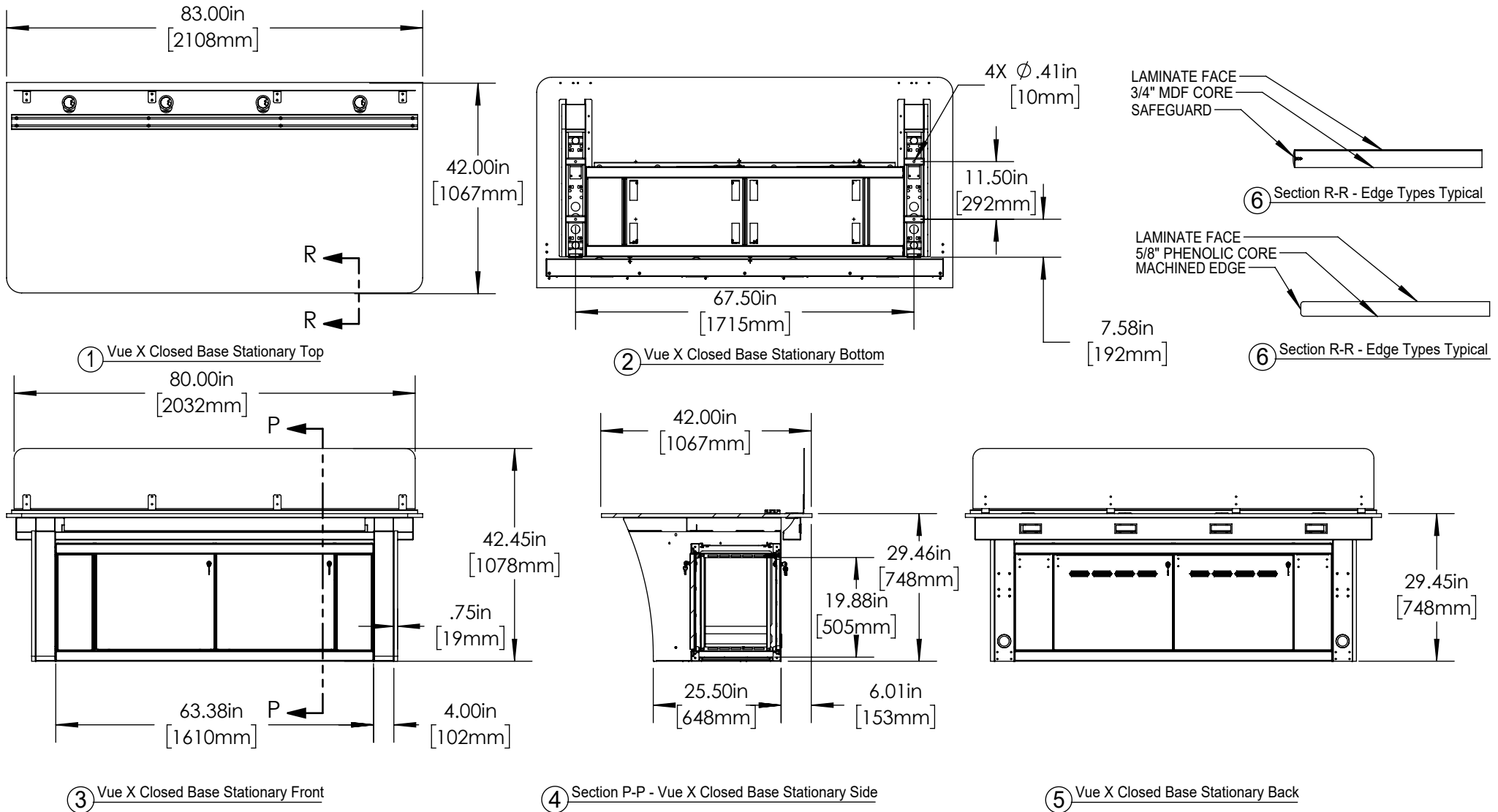
③ Vue X Closed Base Stationary ISO-Bottom



36260 Vue X Closed Base Stationary

SCALE - NTS

The copyright of this drawing and design is vested solely in the Winsted Corporation. Reproduction of the document, in whole or in part, is prohibited other than with the express permission of the above company.



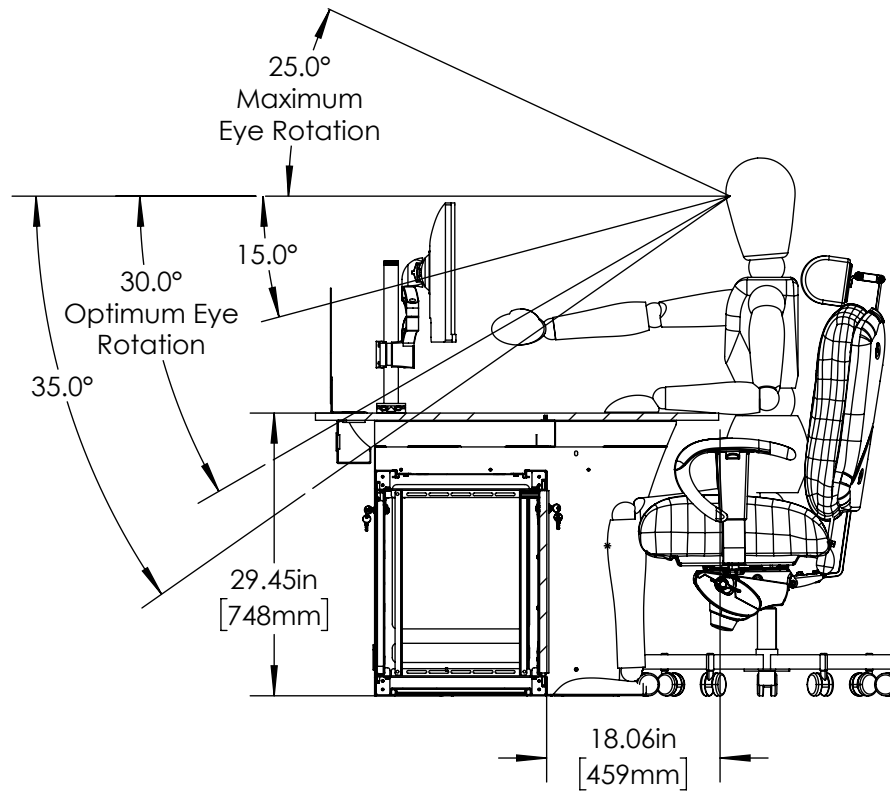
36260 Vue X Closed Base Stationary

SCALE - NTS

The copyright of this drawing and design is vested solely in the Winsted Corporation. Reproduction of the document, in whole or in part, is prohibited other than with the express permission of the above company.

Sheet

3/4



① Vue X Closed Base Sit/Stand Ergonomic Detail - Sitting



36260 Vue X Closed Base Stationary Ergonomic Details

SCALE - NTS

The copyright of this drawing and design is vested solely in the Winsted Corporation. Reproduction of the document, in whole or in part, is prohibited other than with the express permission of the above company.

Sheet

4 / 4