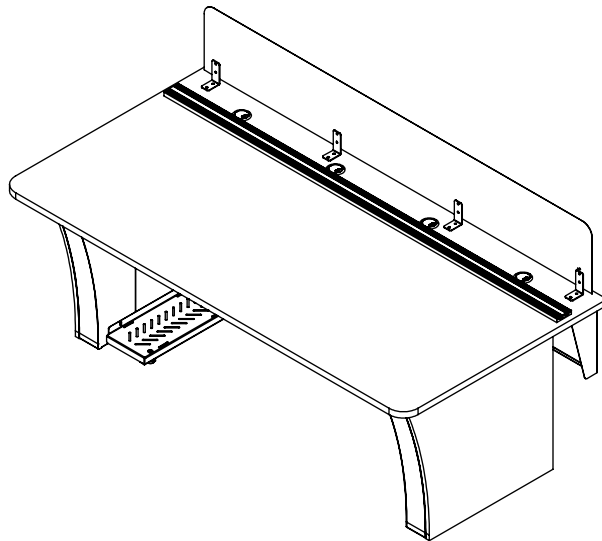


SYSTEM DESCRIPTION

SYSTEM CAPABLE OF SUPPORTING SPECIFIED ELECTRONICS.  
 PRE-ENGINEERED MODULAR CONSTRUCTION.  
 SUPPLIED KNOCKED-DOWN; ASSEMBLY ACCOMPLISHED WITHOUT NEED FOR WELDING OR MODIFICATIONS.  
 CONSTRUCTED OF STEEL SUPERSTRUCTURE FRAMEWORK CONSISTING OF END FRAMES CONNECTED BY HORIZONTAL  
 MODESTY PANEL (STEEL SHEET INCORPORATING EASY-ACCESS CABLE RACEWAY).  
 TWO 1.5X3IN CABLE MANAGEMENT RACEWAYS PER WORK SURFACE, INTEGRATED CABLE CHANNEL IN BASE.  
 QUICK-RELEASE LIFT-OFF ACCESS PANELS LOCATED ON INSIDE OF EACH END FRAME.  
 COMPRISED OF STEEL END FRAMES.  
 WORK SURFACES WITH INTEGRATED BLACK ANODIZED ALUMINUM VERSA-TRAK MOUNTING SYSTEM FOR LCD MONITOR  
 ARRAYS.  
 WORK SURFACE HEIGHT ADJUSTMENT FROM 30IN THROUGH LEVELING FEET.  
 CONVERTIBLE FROM STATIONARY TO SIT-STAND POST INSTALLATION.



- |                     |   |   |   |  |                                 |
|---------------------|---|---|---|--|---------------------------------|
| FRAME               | <input checked="" type="checkbox"/> 36210             | VUE-L 83"                                       |   |  |                                 |
| BASE                | <input checked="" type="checkbox"/> OPEN              | <input type="checkbox"/> CLOSED                 | <input type="checkbox"/> HEIGHT ADJUSTABLE                | <input checked="" type="checkbox"/> STATIONARY |                                 |
| FINISH              | <input checked="" type="checkbox"/> BLACK POWDER COAT |   |   |  |                                 |
| WORK SURFACE        | <input checked="" type="checkbox"/> SINGLE            | <input type="checkbox"/> DUAL                   |   |  |                                 |
|                     | <input type="checkbox"/> 1-1/8" LAM                   | <input type="checkbox"/> 1-1/8" CE              | <input type="checkbox"/> 1-1/8" TF                        | <input type="checkbox"/> 5/8" CL               |                                 |
|                     | <input type="checkbox"/> BLACK                        | <input type="checkbox"/> WHITE                  | <input type="checkbox"/> GRAY                             | <input type="checkbox"/> MAPLE                 | <input type="checkbox"/> WALNUT |
| VERTICAL PANEL      | <input type="checkbox"/> 3/4" LAM                     | <input type="checkbox"/> 3/4" TF                |   |  |                                 |
|                     | <input type="checkbox"/> BLACK                        | <input type="checkbox"/> WHITE                  | <input type="checkbox"/> GRAY                             | <input type="checkbox"/> MAPLE                 | <input type="checkbox"/> WALNUT |
| POWER COMPATIBILITY | <input type="checkbox"/> 110v                         | <input type="checkbox"/> 240v                   |   |  |                                 |
| PRIVACY PANEL       | <input type="checkbox"/> PERFORATED                   | <input type="checkbox"/> ACOUSTICAL LIGHTING    |   |  |                                 |
| CONTROL INTERFACE   | <input type="checkbox"/> ANALOG                       | <input type="checkbox"/> SYNERGY                |   |  |                                 |
| FEATURES            | <input checked="" type="checkbox"/> CPU SHELF         | <input checked="" type="checkbox"/> VERSA-TRAK  | <input checked="" type="checkbox"/> 11U BASE RACK CABINET |  |                                 |
|                     | <input checked="" type="checkbox"/> LAMINATE          | <input checked="" type="checkbox"/> STEEL DOORS | <input checked="" type="checkbox"/> LOCKABLE DOORS        |  |                                 |

WARRANTY

LIMITED LIFETIME WARRANTY ON ALL FIXED STEEL STRUCTURE FRAME COMPONENTS  
 10-YEAR WARRANTY ON ADJUSTABLE, SLIDING, OR HINGES COMPONENTS  
 10-YEAR WARRANTY ON LAMINATED SURFACES  
 5-YEAR WARRANTY ON POWER ACTUATED LIFT MECHANISMS  
 2-YEAR WARRANTY ON GENERAL ELECTRICAL COMPONENTS



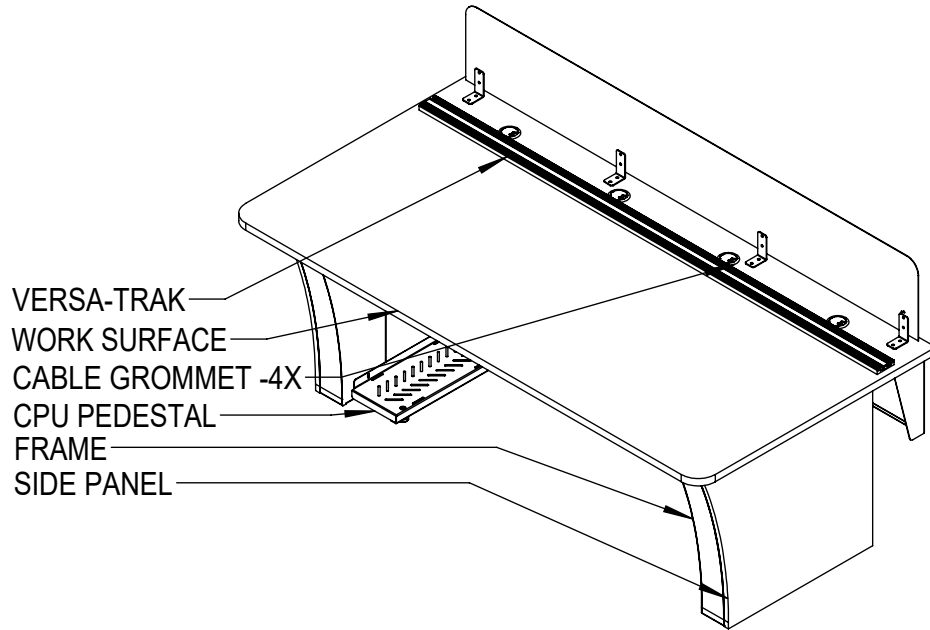
# 36210 Vue-L 83" Open Base Stationary

SCALE - NTS

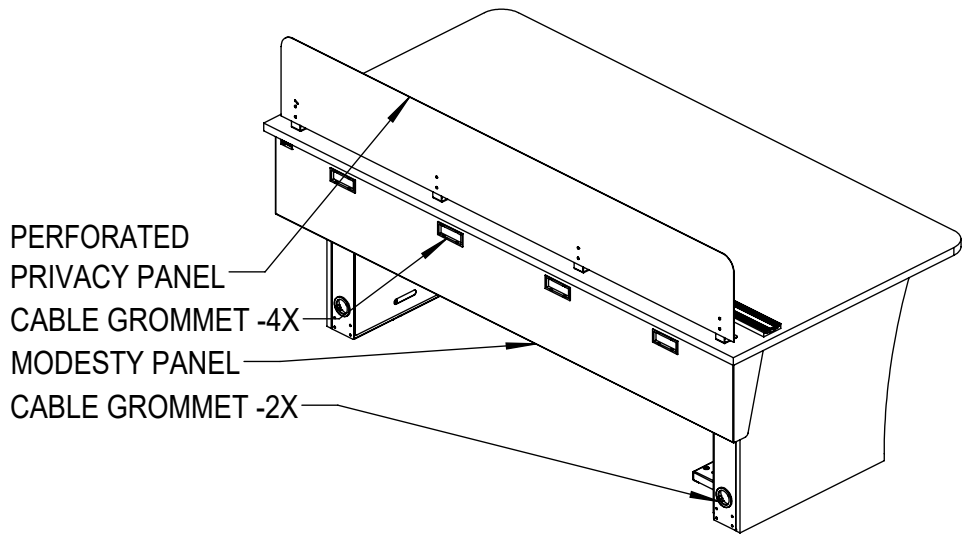
The copyright of this drawing and design is vested solely in the Winsted Corporation. Reproduction of the document, in whole or in part, is prohibited other than with the express permission of the above company.

Sheet

1 / 4



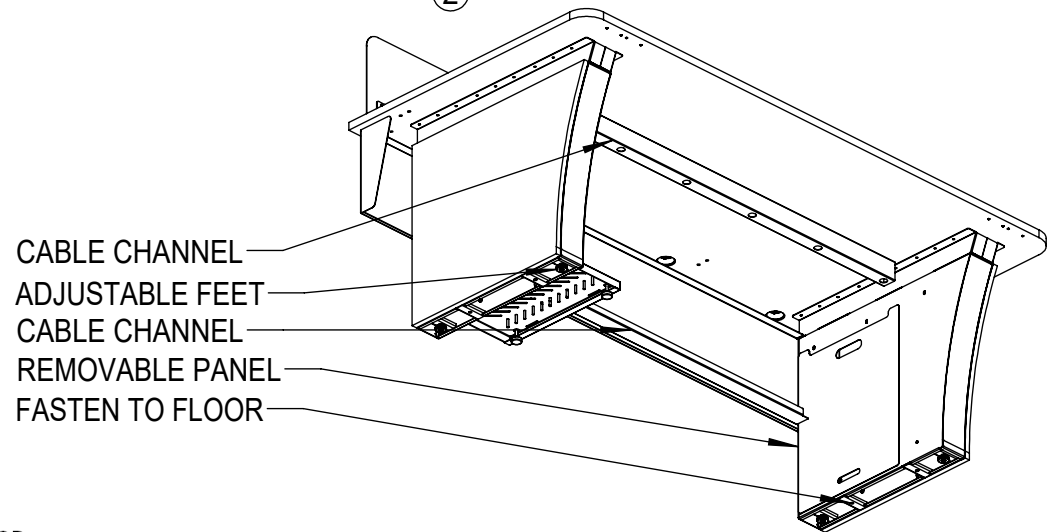
① Vue-L 83" Open Base Stationary ISO-Front



② Vue -L 83" Open Base Stationary ISO-Back

NOTES:

- WORK SURFACES AVAILABLE IN:
  - 1-1/8" LAMINATE (LAM), COMFORT EDGE (CE), TRUFORM (TF)
  - 5/8" COMPACT LAMINATE (CL)
- VERTICAL PANELS AVAILABLE IN:
  - 3/4" LAMINATE (LAM)
  - 3/4" TRUFORM (TF)
- APPLIES TO ALL SURFACES:
  - LAMINATE FACE COLORS: BLACK, WHITE, GRAY, MAPLE & WALNUT
  - GRAIN FINISH RECOMENDED FOR VERTICAL SURFACES ONLY
- EDGE CONDITIONS (SECTION SHOWN ON SHEET 3, DETAIL 6)
  - WORK SURFACES
    - LAM: SAFEGUARD (T-MOLDED POLYETHYLENE PVC)
    - CE: COMFORT EDGE (URETHANE MOLDED SHAPED EDGE)
    - TF: TRUFORM (THERMOFOIL FORMED TO SURFACE AND EDGE)
    - CL: MACHINE-SHAPED EXPOSED PHENOLIC RESIN CORE
  - VERTICAL PANELS
    - LAM/CE: PVC EDGE-BANDING BLACK OR MATCH SURFACE COLOR
    - TF: THERMOFOIL FORMED TO SURFACE AND EDGE



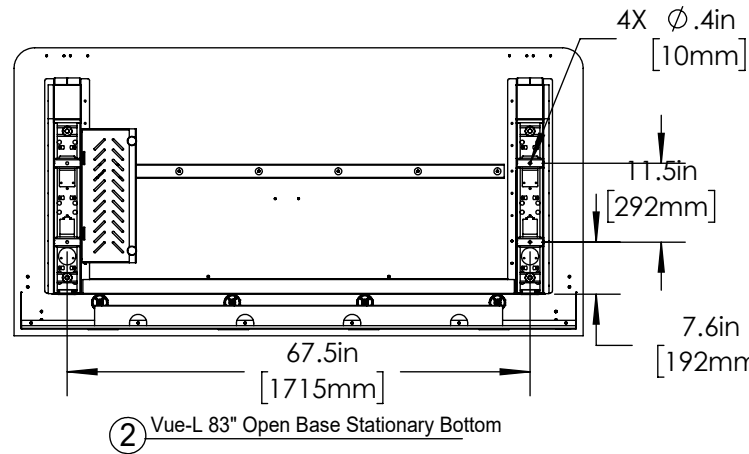
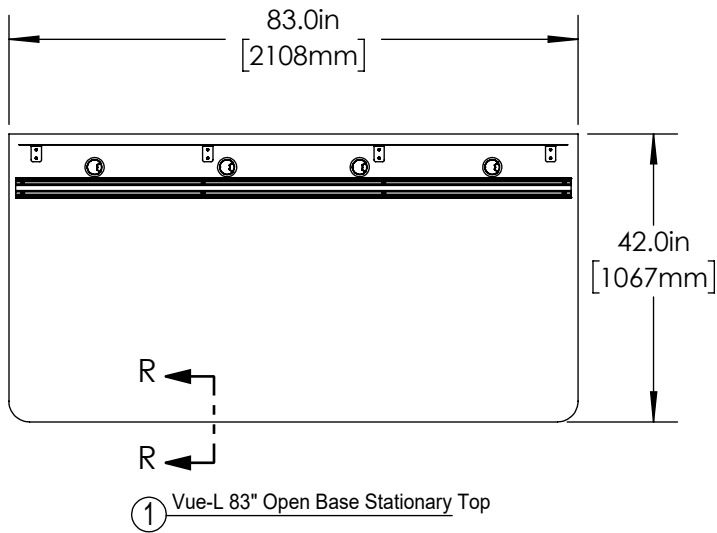
③ Vue-L 83" Open Base Stationary ISO-Bottom



# 36210 Vue-L 83" Open Base Stationary

SCALE - NTS

The copyright of this drawing and design is vested solely in the Winsted Corporation. Reproduction of the document, in whole or in part, is prohibited other than with the express permission of the above company.

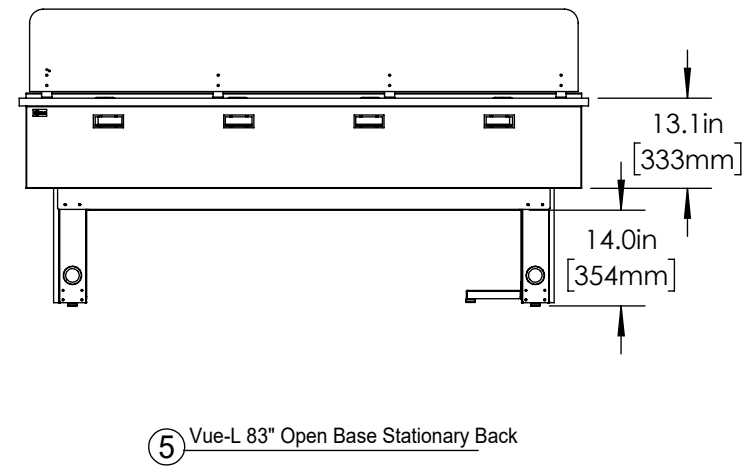
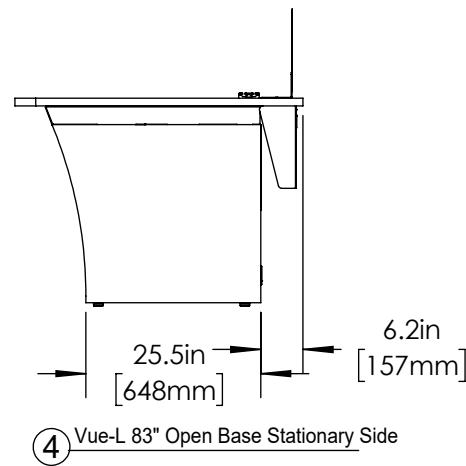
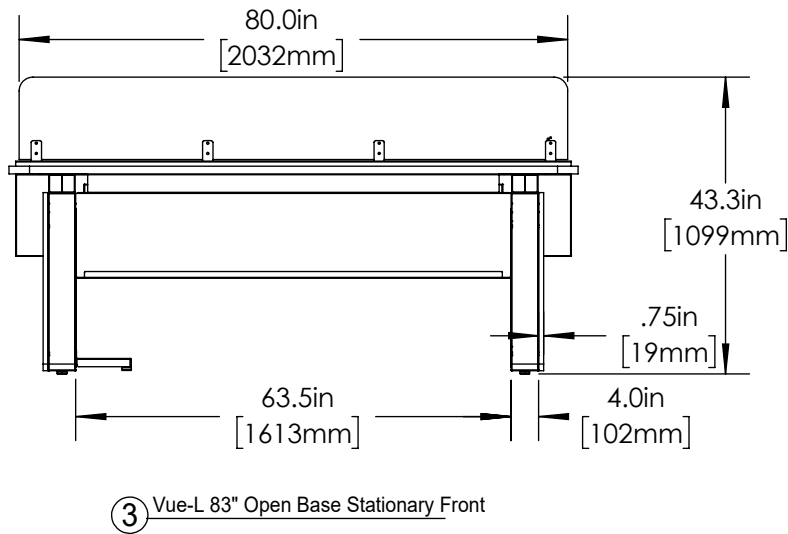


LAMINATE FACE  
1-1/8" MDF CORE  
SAFEGUARD

⑥ Section R-R - Edge Types Typical

LAMINATE FACE  
5/8" PHENOLIC CORE  
MACHINED EDGE

⑥ Section R-R - Edge Types Typical



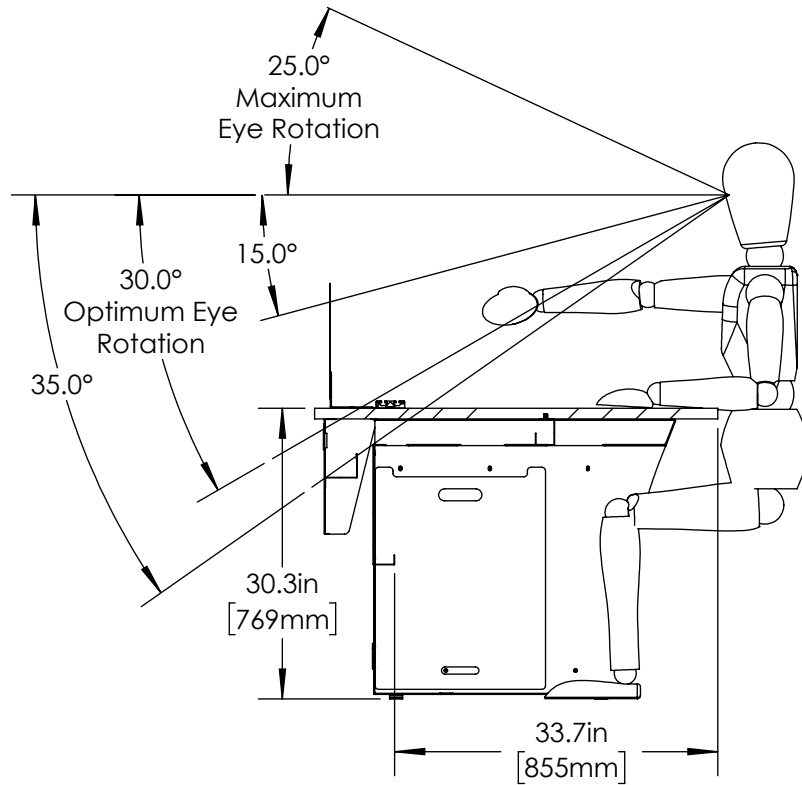
# 36210 Vue-L 83" Open Base Stationary

SCALE - NTS

The copyright of this drawing and design is vested solely in the Winsted Corporation. Reproduction of the document, in whole or in part, is prohibited other than with the express permission of the above company.

Sheet

3/4



① Vue-L 83" Open Base Stationary Ergonomic Detail - Sitting



# 36210 Vue-L 83" Open Base Stationary Ergonomic Details

SCALE - NTS

The copyright of this drawing and design is vested solely in the Winsted Corporation. Reproduction of the document, in whole or in part, is prohibited other than with the express permission of the above company.

Sheet