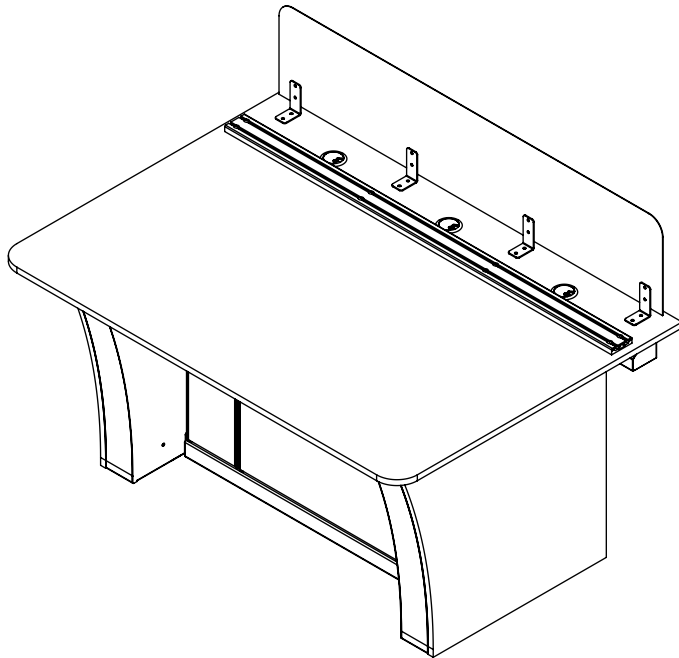


SYSTEM DESCRIPTION

SYSTEM CAPABLE OF SUPPORTING SPECIFIED ELECTRONICS.
 PRE-ENGINEERED MODULAR CONSTRUCTION.
 SUPPLIED KNOCKED-DOWN; ASSEMBLY ACCOMPLISHED WITHOUT NEED FOR WELDING OR MODIFICATIONS.
 CONSTRUCTED OF STEEL SUPERSTRUCTURE FRAMEWORK CONSISTING OF END FRAMES CONNECTED BY HORIZONTAL MODESTY PANEL (STEEL SHEET INCORPORATING EASY-ACCESS CABLE RACEWAY).
 TWO 1.5X3IN CABLE MANAGEMENT RACEWAYS PER WORK SURFACE, INTEGRATED CABLE CHANNEL IN BASE.
 QUICK-RELEASE LIFT-OFF ACCESS PANELS LOCATED ON INSIDE OF EACH END FRAME.
 COMPRISED OF STEEL END FRAMES.
 WORK SURFACES WITH INTEGRATED BLACK ANODIZED ALUMINUM VERSA-TRAK MOUNTING SYSTEM FOR LCD MONITOR ARRAYS.
 WORK SURFACE HEIGHT ADJUSTMENT FROM 30IN THROUGH LEVELING FEET.
 CONVERTIBLE FROM STATIONARY TO SIT-STAND POST INSTALLATION.



- | | | | | | | | | |
|-----------------------------|---|--|--|--|--------------------------------|---------------------------------|--------------------------------|--|
| FRAME | <input checked="" type="checkbox"/> 36160 | VUE L | <input checked="" type="checkbox"/> STATIONARY | | | | | |
| BASE | <input checked="" type="checkbox"/> CLOSED | | | | | | | |
| FINISH | <input checked="" type="checkbox"/> BLACK POWDER COAT | | | | | | | |
| WORK SURFACE | <input checked="" type="checkbox"/> SINGLE | <input type="checkbox"/> 3/4" MDF | <input type="checkbox"/> 5/8" COMPACT LAMINATE | <input type="checkbox"/> GRAY | <input type="checkbox"/> MAPLE | <input type="checkbox"/> WALNUT | <input type="checkbox"/> OTHER | |
| END PANELS* | <input type="checkbox"/> BLACK | <input type="checkbox"/> 3/4" MCF | <input type="checkbox"/> WHITE | <input type="checkbox"/> GRAY | <input type="checkbox"/> MAPLE | <input type="checkbox"/> WALNUT | <input type="checkbox"/> OTHER | |
| *MCF not available in Maple | <input type="checkbox"/> BLACK | <input type="checkbox"/> WHITE | <input type="checkbox"/> 240v | <input type="checkbox"/> GRAY | <input type="checkbox"/> MAPLE | <input type="checkbox"/> WALNUT | <input type="checkbox"/> OTHER | |
| POWER COMPATIBILITY | <input type="checkbox"/> 110v | <input type="checkbox"/> PERFORATED | | <input type="checkbox"/> ACOUSTICAL LIGHTING | | | | |
| PRIVACY PANEL | <input type="checkbox"/> ANALOG | | | <input type="checkbox"/> SYNERGY | | | | |
| CONTROL INTERFACE | <input type="checkbox"/> CPU SHELF | | | | | | | |
| FEATURES | <input checked="" type="checkbox"/> VERSA-TRAK | <input checked="" type="checkbox"/> LAMINATE FRONT DOORS | <input checked="" type="checkbox"/> SOFT TOUCH LATCH | <input checked="" type="checkbox"/> LOCKABLE | | | | |
| | <input checked="" type="checkbox"/> STEEL VENTED REAR DOORS | <input checked="" type="checkbox"/> 11U RACKING BASE CABINET | <input checked="" type="checkbox"/> SOFT TOUCH LATCH | <input checked="" type="checkbox"/> LOCKABLE | | | | |

WARRANTY

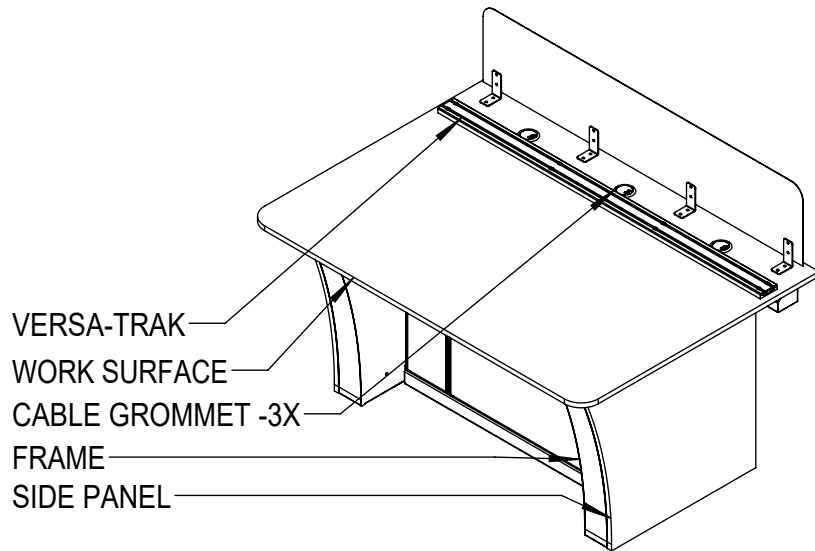
LIMITED LIFETIME WARRANTY ON ALL FIXED STEEL STRUCTURE FRAME COMPONENTS
 10-YEAR WARRANTY ON ADJUSTABLE, SLIDING, OR HINGES COMPONENTS
 10-YEAR WARRANTY ON LAMINATED SURFACES
 5-YEAR WARRANTY ON POWER ACTUATED LIFT MECHANISMS
 2-YEAR WARRANTY ON GENERAL ELECTRICAL COMPONENTS



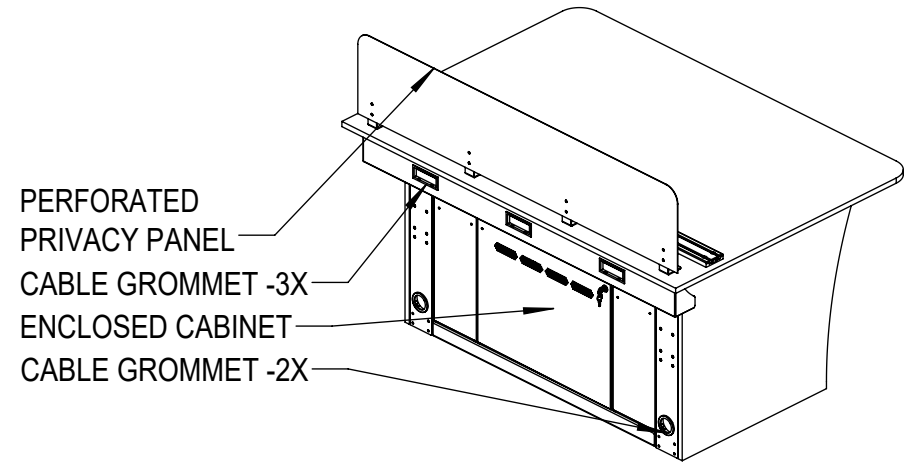
36160 Vue L Closed Base Stationary

SCALE - NTS

The copyright of this drawing and design is vested solely in the Winsted Corporation. Reproduction of the document, in whole or in part, is prohibited other than with the express permission of the above company.



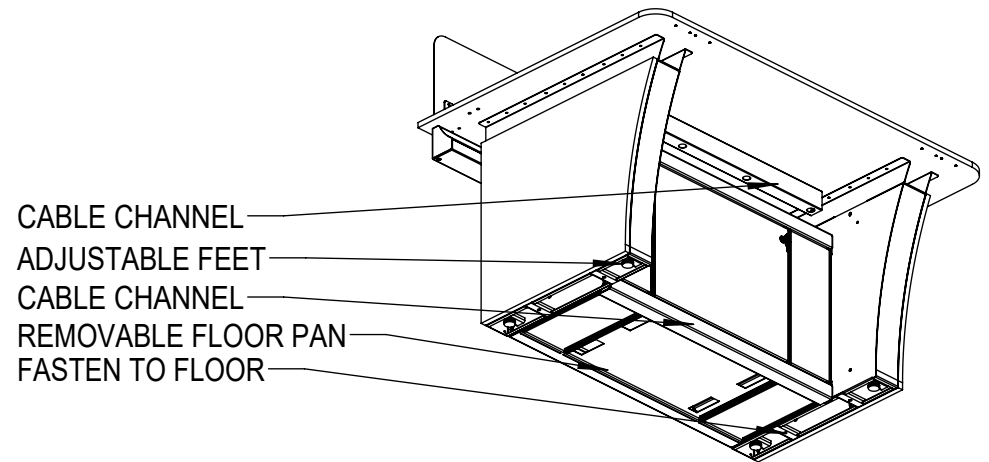
① Vue L Closed Base Stationary ISO-Front



② Vue L Closed Base Stationary ISO-Back

NOTES:

- WORK SURFACES AVAILABLE IN 3/4" MDF OR 5/8" COMPACT LAMINATE (CL) CORE
- END PANELS AND DOORS AVAILABLE IN 3/4" MCF AND 3/4" MDF CORE
- APPLIES TO ALL SURFACES:
 - LAMINATE FACE COLORS ARE BLACK, WHITE, GRAY, MAPLE & WALNUT
 - MDF CUSTOM COLOR OPTIONS; REQUIRE CONTROL SAMPLE TO MATCH
 - CL CUSTOM COLORS MUST BE FROM FORMICA COLORECORE SERIES
 - MCF NOT AVAILABLE IN MAPLE
 - ARCHITECT TO SPECIFY GRAIN DIRECTION FOR MAPLE & WALNUT
- EDGE CONDITIONS (SECTION SHOWN ON SHEET 3, DETAIL 6)
 - WORK SURFACES
 - MDF: SAFEGUARD (T-MOLDED POLYETHYLENE PVC)
 - CL: MACHINE-SHAPED EXPOSED PHENOLIC RESIN CORE
 - PANELS AND DOORS:
 - MCF: PVC EDGE-BANDING TO MATCH SURFACE COLOR
 - MDF: PVC EDGE-BANDING TO MATCH SURFACE COLOR



③ Vue L Closed Base Stationary ISO-Bottom

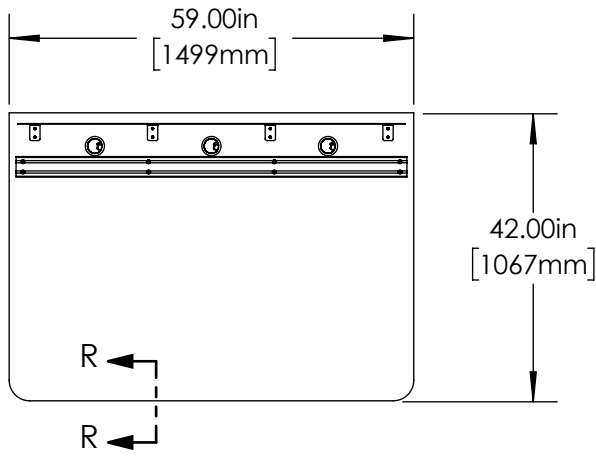


36160 Vue L Closed Base Stationary

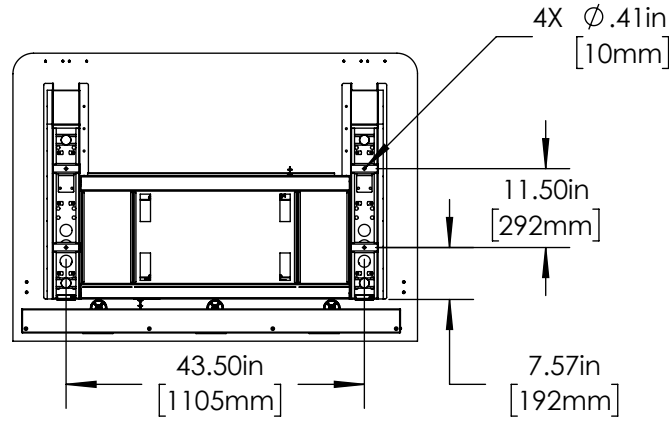
SCALE - NTS

The copyright of this drawing and design is vested solely in the Winsted Corporation. Reproduction of the document, in whole or in part, is prohibited other than with the express permission of the above company.

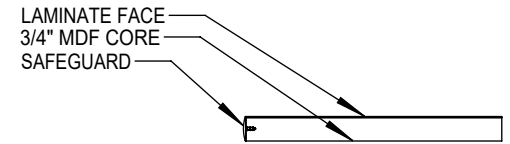
Sheet



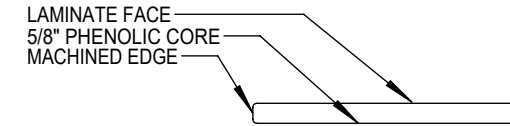
① Vue L Closed Base Stationary Top



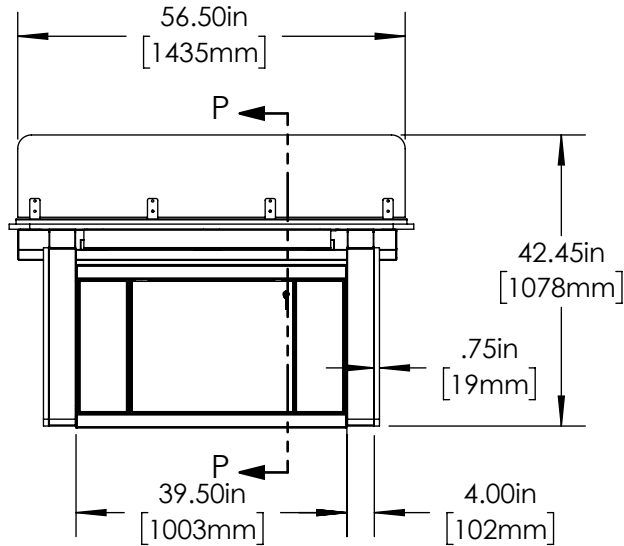
② Vue L Closed Base Stationary Bottom



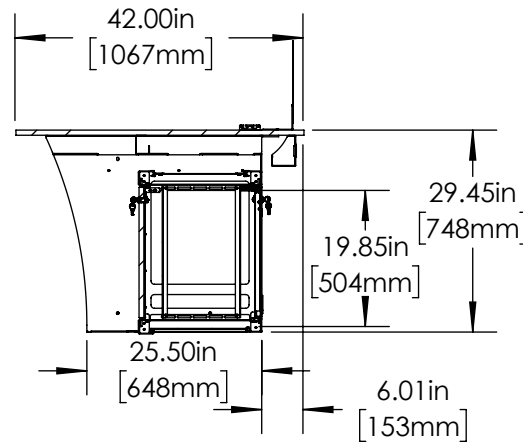
⑥ Section R-R - Edge Types Typical



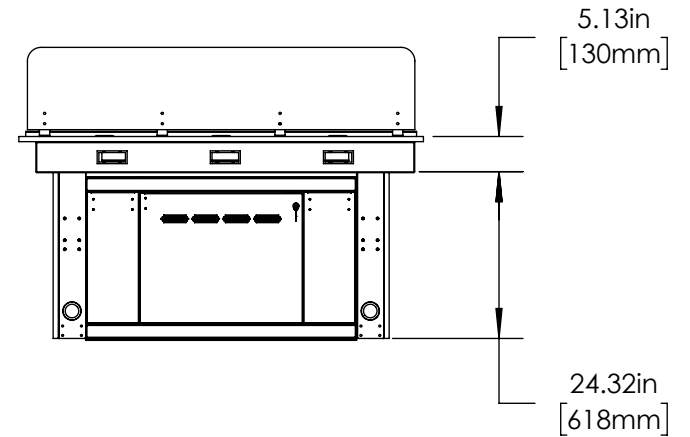
⑥ Section R-R - Edge Types Typical



③ Vue L Closed Base Stationary Front



④ Section P-P - Vue L Closed Base Stationary Side



⑤ Vue L Closed Base Stationary Back



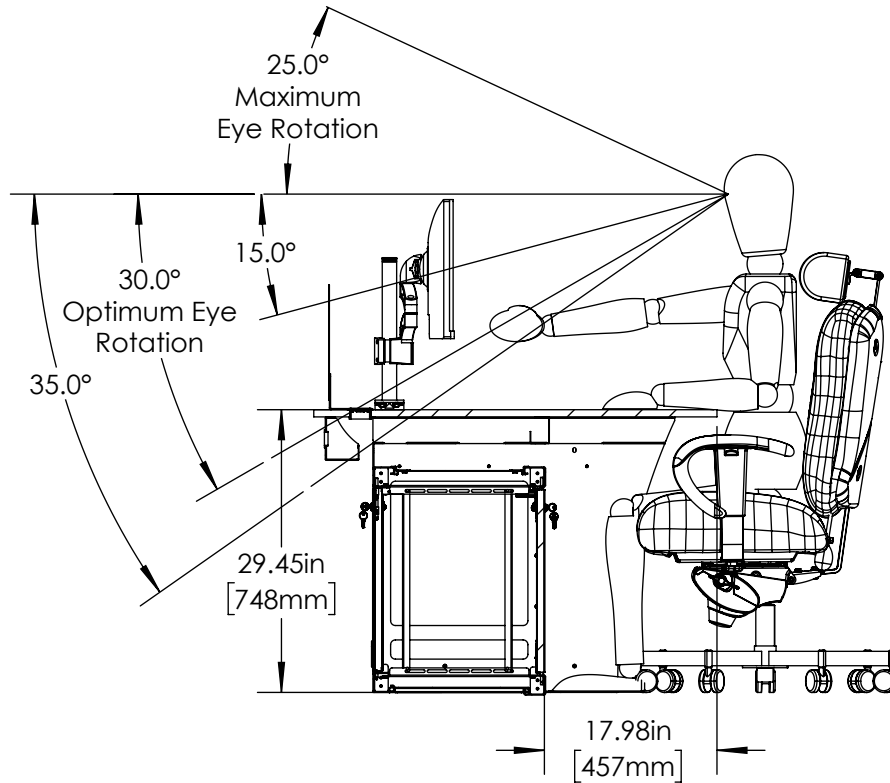
36160 Vue L Closed Base Stationary

SCALE - NTS

The copyright of this drawing and design is vested solely in the Winsted Corporation. Reproduction of the document, in whole or in part, is prohibited other than with the express permission of the above company.

Sheet

3/4



① Vue L Closed Base Stationary Ergonomic Detail



36160 Vue L Closed Base Stationary Ergonomic Details

SCALE - NTS

The copyright of this drawing and design is vested solely in the Winsted Corporation. Reproduction of the document, in whole or in part, is prohibited other than with the express permission of the above company.

Sheet

4 / 4