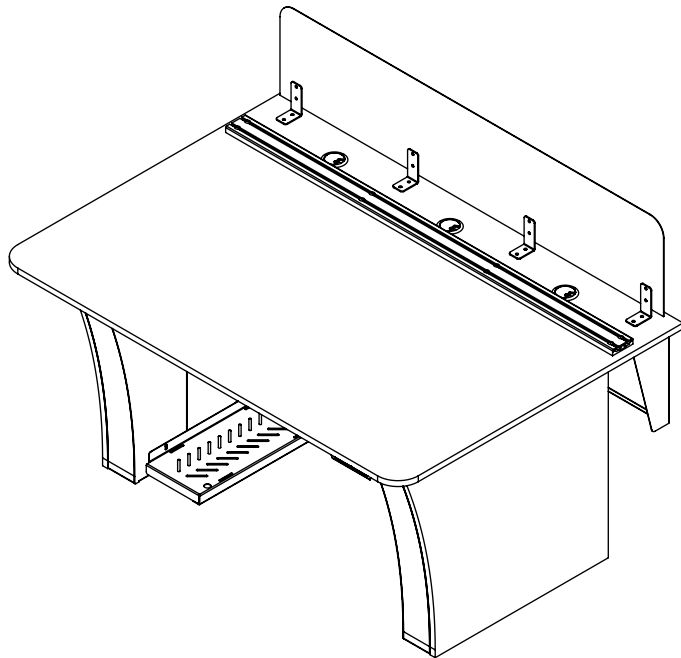


SYSTEM DESCRIPTION

SYSTEM CAPABLE OF SUPPORTING SPECIFIED ELECTRONICS.  
 PRE-ENGINEERED MODULAR CONSTRUCTION.  
 SUPPLIED KNOCKED-DOWN; ASSEMBLY ACCOMPLISHED WITHOUT NEED FOR WELDING OR MODIFICATIONS.  
 CONSTRUCTED OF STEEL SUPERSTRUCTURE FRAMEWORK CONSISTING OF END FRAMES CONNECTED BY HORIZONTAL MODESTY PANEL (STEEL SHEET INCORPORATING EASY-ACCESS CABLE RACEWAY).  
 TWO 1.5X3IN CABLE MANAGEMENT RACEWAYS PER WORK SURFACE, INTEGRATED CABLE CHANNEL IN BASE.  
 QUICK-RELEASE LIFT-OFF ACCESS PANELS LOCATED ON INSIDE OF EACH END FRAME.  
 COMPRISED OF STEEL END FRAMES WITH ELECTRIC-LIFT LEGS.  
 WORK SURFACES WITH INTEGRATED BLACK ANODIZED ALUMINUM VERSA-TRAK MOUNTING SYSTEM FOR LCD MONITOR ARRAYS.  
 ELECTRIC LIFT LEGS OPERATE AT 38MM/S AND ACCEPT 90LBS PER COLUMN.  
 WORK SURFACE HEIGHT ADJUSTMENT FROM 30 TO 46IN HIGH.



- |                                    |  |   |                               |                                |                                 |                                |  |  |
|------------------------------------|--|---|-------------------------------|--------------------------------|---------------------------------|--------------------------------|--|--|
| FRAME                              | <input checked="" type="checkbox"/> 36100                            | VUE L   |                               |                                |                                 |                                |  |  |
| BASE                               | <input checked="" type="checkbox"/> OPEN                             | <input checked="" type="checkbox"/> HEIGHT ADJUSTABLE |                               |                                |                                 |                                |  |  |
| FINISH                             | <input checked="" type="checkbox"/> BLACK POWDER COAT                |   |                               |                                |                                 |                                |  |  |
| WORK SURFACE                       | <input checked="" type="checkbox"/> SINGLE                           |   |                               |                                |                                 |                                |  |  |
|                                    | <input type="checkbox"/> 3/4" MDF                                    | <input type="checkbox"/> 5/8" COMPACT LAMINATE        |                               |                                |                                 |                                |  |  |
| END PANELS*                        | <input type="checkbox"/> BLACK                                       | <input type="checkbox"/> WHITE                        | <input type="checkbox"/> GRAY | <input type="checkbox"/> MAPLE | <input type="checkbox"/> WALNUT | <input type="checkbox"/> OTHER |  |  |
| <i>*MCF not available in Maple</i> | <input type="checkbox"/> 3/4" MCF                                    | <input type="checkbox"/> 3/4" MDF                     |                               |                                |                                 |                                |  |  |
| LIFTING COLUMNS                    | <input type="checkbox"/> BLACK                                       | <input type="checkbox"/> WHITE                        | <input type="checkbox"/> GRAY | <input type="checkbox"/> MAPLE | <input type="checkbox"/> WALNUT | <input type="checkbox"/> OTHER |  |  |
| POWER COMPATIBILITY                | <input checked="" type="checkbox"/> ONE SET OF TWO COLUMNS (2 TOTAL) |   |                               |                                |                                 |                                |  |  |
| PRIVACY PANEL                      | <input type="checkbox"/> 110v  | <input type="checkbox"/> 240v                         |                               |                                |                                 |                                |  |  |
| CONTROL INTERFACE                  | <input type="checkbox"/> PERFORATED                                  | <input type="checkbox"/> ACOUSTICAL LIGHTING          |                               |                                |                                 |                                |  |  |
| FEATURES                           | <input type="checkbox"/> ANALOG                                      | <input type="checkbox"/> SYNERGY                      |                               |                                |                                 |                                |  |  |
|                                    | <input checked="" type="checkbox"/> CPU PEDESTAL                     |   |                               |                                |                                 |                                |  |  |
|                                    | <input checked="" type="checkbox"/> VERSA-TRAK                       |   |                               |                                |                                 |                                |  |  |

WARRANTY

LIMITED LIFETIME WARRANTY ON ALL FIXED STEEL STRUCTURE FRAME COMPONENTS  
 10-YEAR WARRANTY ON ADJUSTABLE, SLIDING, OR HINGES COMPONENTS  
 10-YEAR WARRANTY ON LAMINATED SURFACES  
 5-YEAR WARRANTY ON POWER ACTUATED LIFT MECHANISMS  
 2-YEAR WARRANTY ON GENERAL ELECTRICAL COMPONENTS



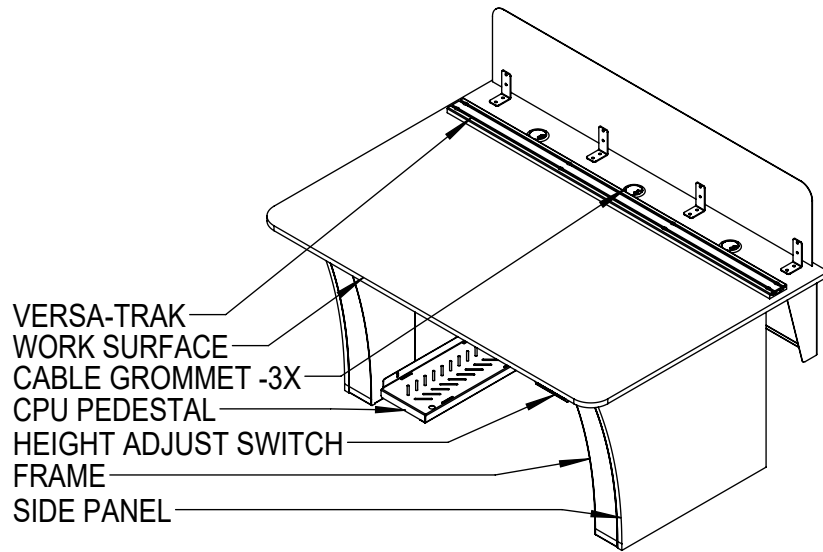
# 36100 Vue L Open Base Sit-Stand

SCALE - NTS

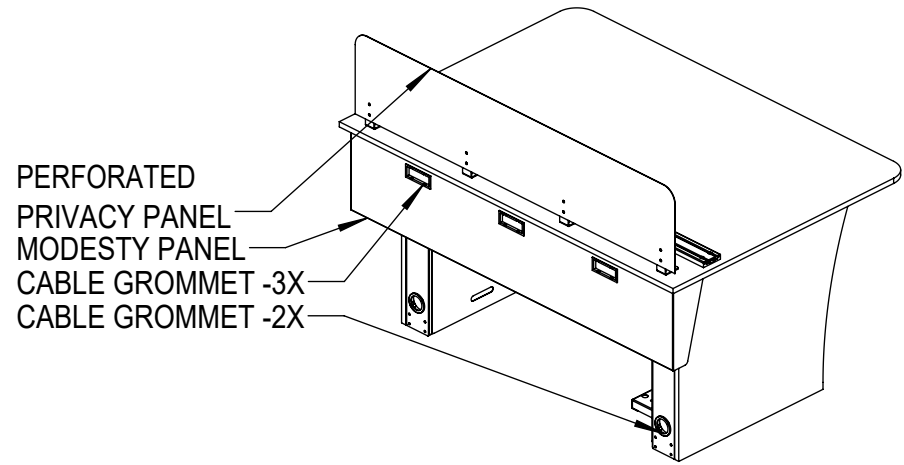
The copyright of this drawing and design is vested solely in the Winsted Corporation. Reproduction of the document, in whole or in part, is prohibited other than with the express permission of the above company.

Sheet

1 / 4



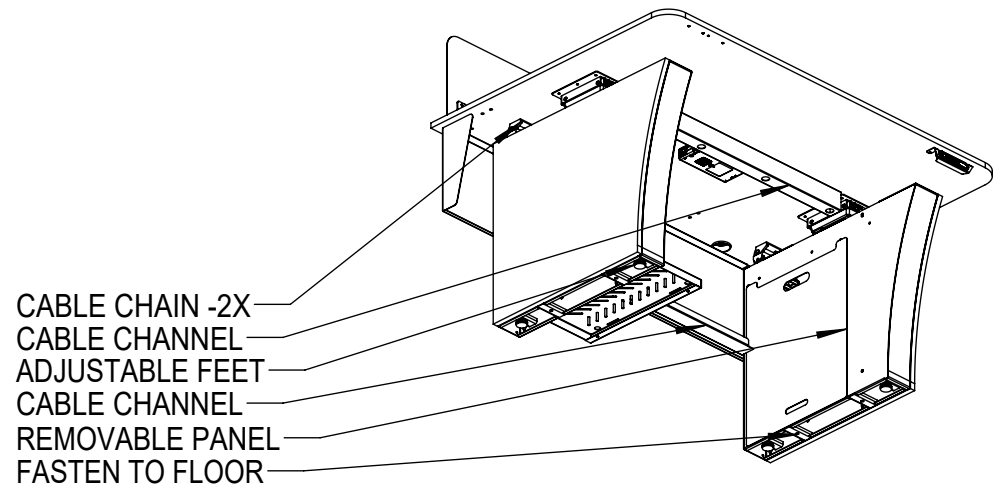
① Vue L Open Base Sit/Stand ISO-Front



② Vue L Open Base Sit/Stand ISO-Back

NOTES:

- WORK SURFACES AVAILABLE IN 3/4" MDF OR 5/8" COMPACT LAMINATE (CL) CORE
- END PANELS AVAILABLE IN 3/4" MCF AND 3/4" MDF CORE
- APPLIES TO ALL SURFACES:
  - LAMINATE FACE COLORS ARE BLACK, WHITE, GRAY, MAPLE & WALNUT
  - MDF CUSTOM COLOR OPTIONS; REQUIRE CONTROL SAMPLE TO MATCH
  - CL CUSTOM COLORS MUST BE FROM FORMICA COLORECORE SERIES
  - MCF NOT AVAILABLE IN MAPLE
  - ARCHITECT TO SPECIFY GRAIN DIRECTION FOR MAPLE & WALNUT
- EDGE CONDITIONS (SECTION SHOWN ON SHEET 3, DETAIL 6)
  - WORK SURFACES
    - MDF: SAFEGUARD (T-MOLDED POLYETHYLENE PVC)
    - CL: MACHINE-SHAPED EXPOSED PHENOLIC RESIN CORE
  - PANELS
    - MCF: PVC EDGE-BANDING TO MATCH SURFACE COLOR
    - MDF: PVC EDGE-BANDING TO MATCH SURFACE COLOR



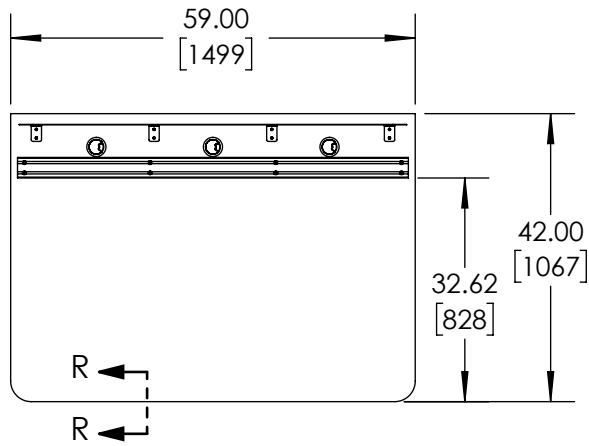
③ Vue L Open Base Sit/Stand ISO-Bottom



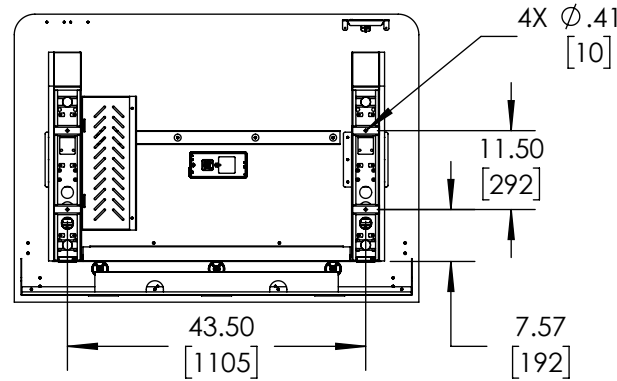
# 36100 Vue L Open Base Sit-Stand

SCALE - NTS

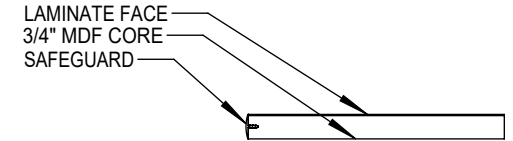
The copyright of this drawing and design is vested solely in the Winsted Corporation. Reproduction of the document, in whole or in part, is prohibited other than with the express permission of the above company.



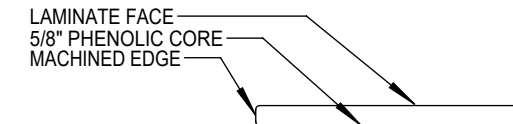
① Vue L Open Base Sit/Stand Top



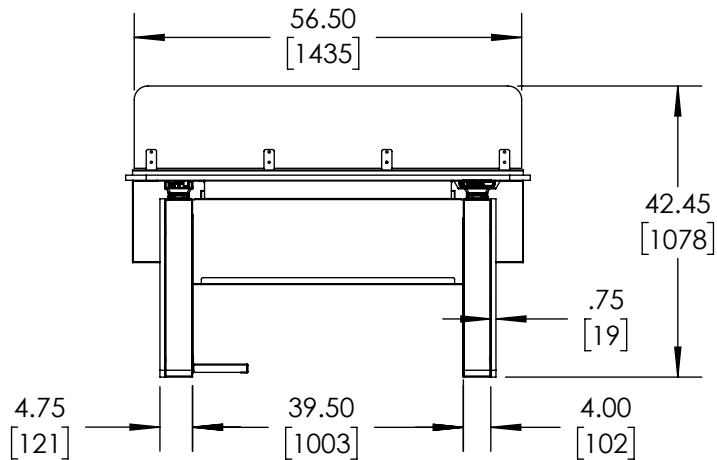
② Vue L Open Base Sit/Stand Bottom



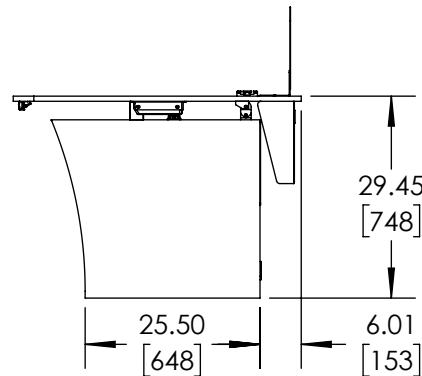
⑥ Section R-R - Edge Types Typical



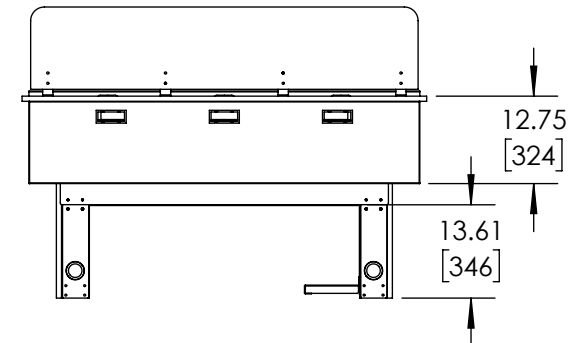
⑥ Section R-R - Edge Types Typical



③ Vue L Open Base Sit/Stand Front



④ Vue L Open Base Sit/Stand Side



⑤ Vue L Open Base Sit/Stand Back

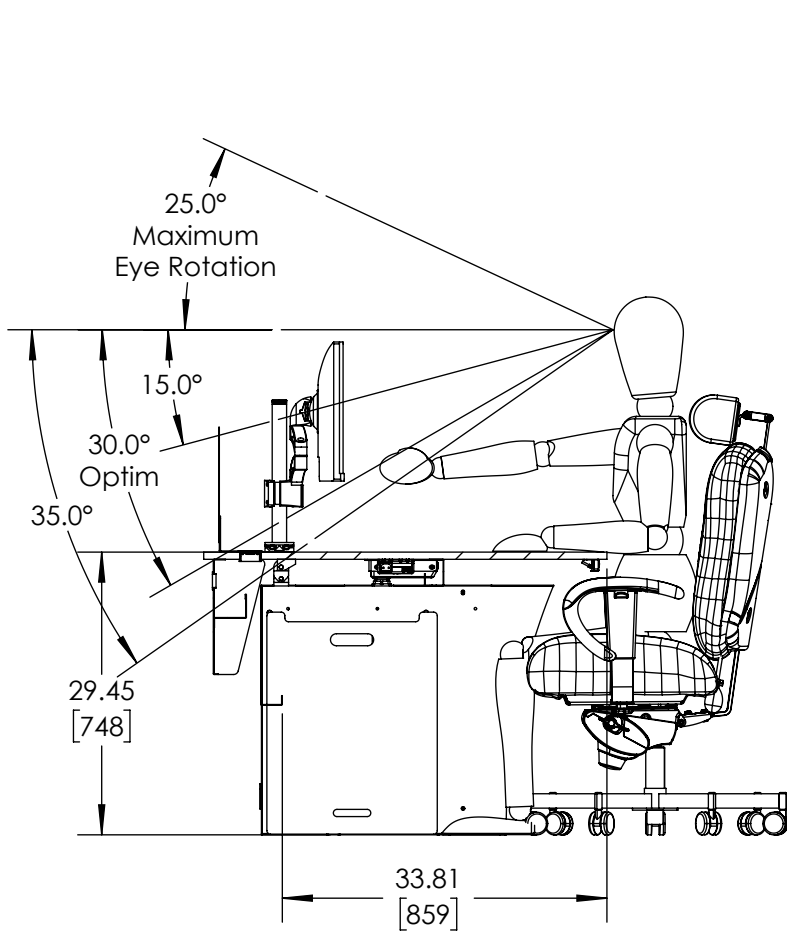


# 36100 Vue L Open Base Sit-Stand

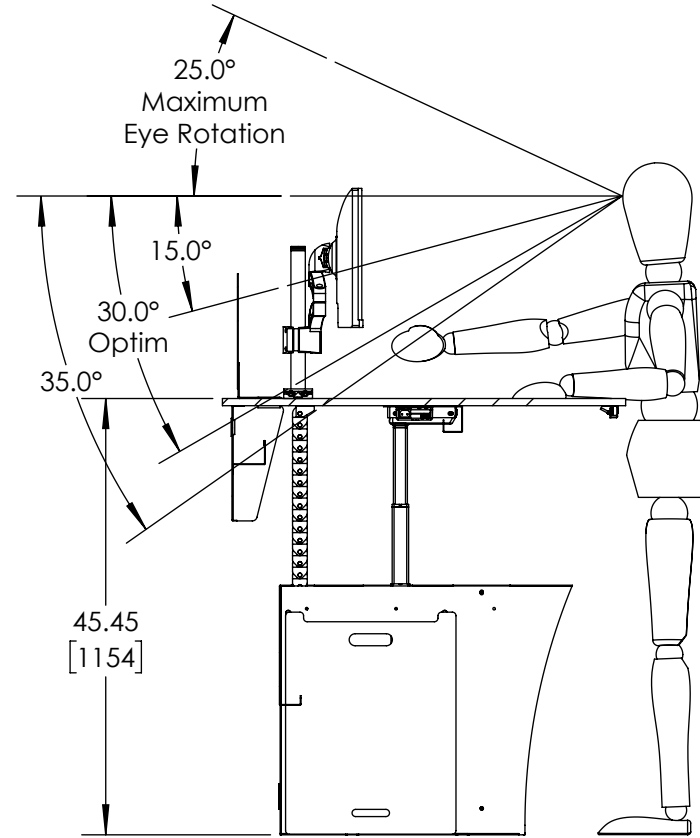
SCALE - NTS

The copyright of this drawing and design is vested solely in the Winsted Corporation. Reproduction of the document, in whole or in part, is prohibited other than with the express permission of the above company.

Sheet



① Vue L Open Base Sit/Stand Ergonomic Detail - Sitting



② Vue L Open Base Sit/Stand Ergonomic Detail - Sitting



# 36100 Vue L Open Base Sit-Stand Ergonomic Details

SCALE - NTS

The copyright of this drawing and design is vested solely in the Winsted Corporation. Reproduction of the document, in whole or in part, is prohibited other than with the express permission of the above company.

Sheet

4 / 4