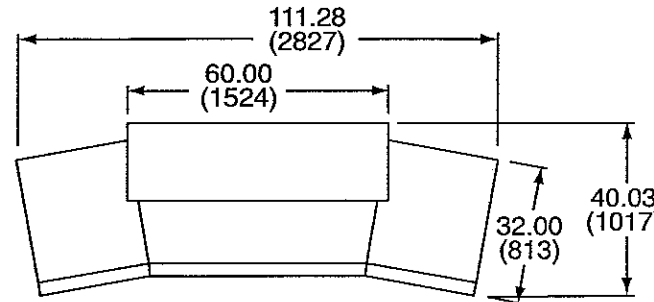
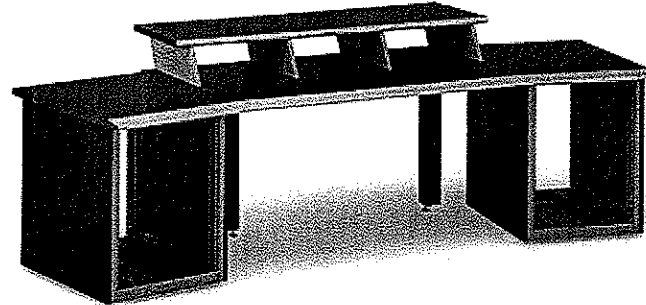
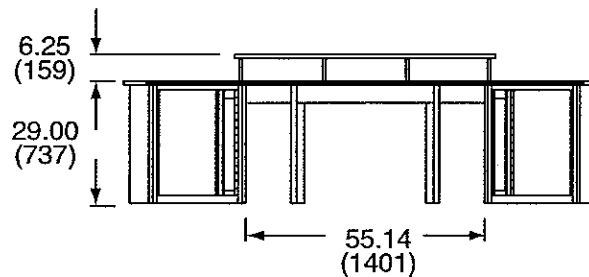
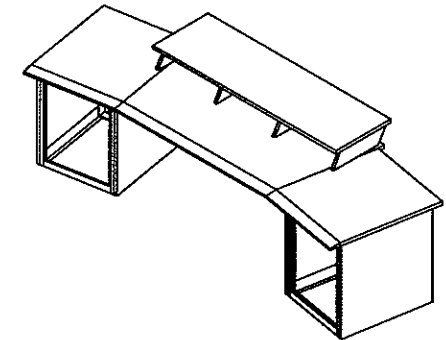


## SPECIFICATIONS:

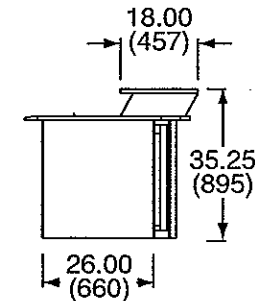
- Two each 24-1/2" H x 19" W Rack cabinets.
- Capable of supporting equipment with E.I.A. standard 19" width.
- Cable management with 3 ea. 3" grommets.
- Riser constructed from 1-1/8" particle board core, graphite Nebula laminate, and 1/2" bull nose solid oak front edge, supported by 4 ea. 3/4" solid oak riser legs.
- Work surface constructed from 1-1/8" particle board core, graphite Nebula laminate, with a 3" beveled solid oak front edge.
- Caster base and casters included.
- Rack cabinet frames, Dove Grey textured powder coat enamel finish.
- Side panels and legs, Black powder coat enamel finish.
- Shpg. wt. 420 lbs. (191 kgs.) Class 70.
- 10 yr. manufacturer warranty.
- Dimensions shown have a +/- .062" tolerance.



TOP VIEW



FRONT VIEW



SIDE VIEW