

M-VIEW

Modular Monitor Wall

winsted.com
800.447.2257



M-View

Winsted's M-View is a custom built, extruded aluminum monitor wall that is flexible and completely modular. Each M-View is designed and manufactured to support your specific monitor configuration and fit in your unique space.

The M-View is fabricated from light-weight, high-strength extruded aluminum with a black anodized finish. The monitor wall can support any size LCD and/or plasma screen and can be configured as an in-line, concave, or convex mounting solution. The M-View seamlessly integrates technology and space to optimize viewing angles, improve operator comfort, and increase productivity.



Encompass-2 with M-View

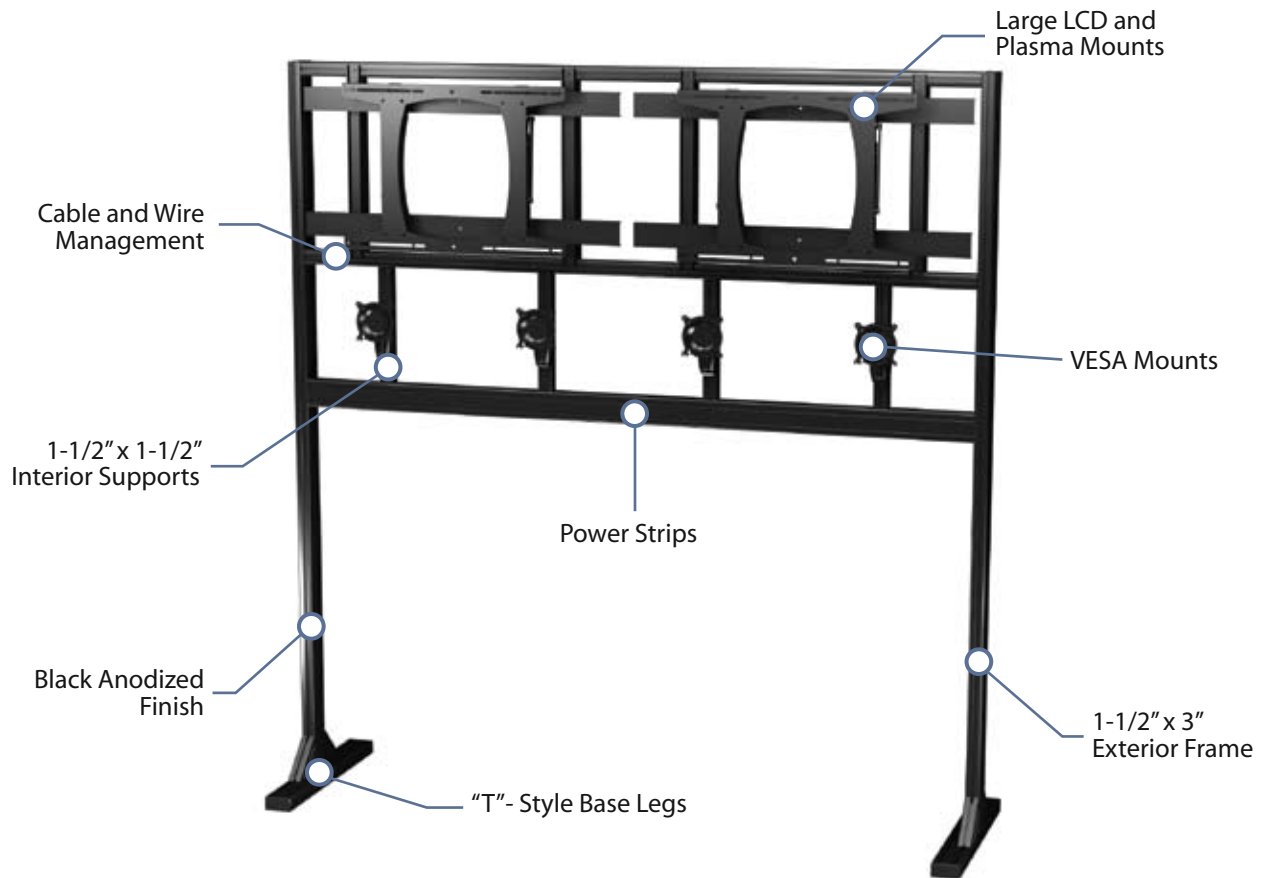
Winsted
Control Room Consoles

Winsted World Headquarters
Tel: 1-800-447-2257 or 952-944-9050
Fax: 1-800-421-3839 or 952-944-1546
info@winsted.com
winsted.com

Winsted Technical Interiors
Tel: 1-800-237-5606 or 770-840-0880
Fax: 770-840-9685
custom@winsted.com
techinteriors.com

Winsted Limited
Tel: 44 (0) 1905 770276
Fax: 44 (0) 1905 779791
info@winsted.co.uk
winsted.com

Product Features and Highlights



Large LCD and Plasma Mounts

Our heavy-duty large LCD/plasma mounts combine a low-profile design with integrated security features. The mount features a rapid leveling system, quick connect/disconnect installation, fingertip-tilt, and a pull-out bottom for convenient cable access. Allows for portrait or landscape flat panel installation.

VESA Mounts

Universal VESA mounts easily attach flat panel monitors to the M-View Monitor Wall and provide smooth pivot and pitch adjustment for different viewing angles and ergonomic needs. The VESA mounts move freely along the M-View framework and are available to support any monitor.

1-1/2" x 3" Exterior Frame

The exterior framing is constructed of 1-1/2" x 3" extruded aluminum for superior strength and flexibility. Frames can be manufactured to any height and length.

Power Strips

Ten, eleven, or twenty outlet power strips are available with on/off switches. Power strips mount to the rear of the horizontal and/or vertical support frames.

"T"-Style Base Legs

M-View legs are "T"-shaped with two 45° gussets for stability. Base legs must be secured to the floor, or the frame secured to a wall, for proper performance.

Black Anodized Finish

All M-View frames feature a black anodized finish that fits seamlessly into any environment. In use - the M-View frame blends in with attached monitors, creating a pleasing shadow effect.

1-1/2" x 1-1/2" Interior Supports

The interior supports are constructed of extruded aluminum for superior strength and flexibility. Frames can be manufactured to any height and length.

Cable and Wire Management

Multiple raceway channels are available for wire management. Run the cables horizontally or vertically using model 42750 [wire channels]. Use model 42756 [solid wall channel] to run cables vertically to the floor. All wire channels feature removable covers.

free
design!service

M-View Components

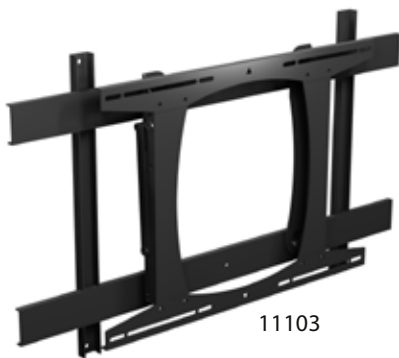


51238 (75 & 100mm)
51239 (200mm)
(others available)

VESA Mounts

VESA monitor mounts allow smooth range of motion and hassle free, fingertip positioning of the monitors. Low profile appearance and sleek, attractive design conceals all hardware.

- Depth from Wall:** 2.94" (74 mm)
- Dimensions (HxWxD):** 7.25" x 4.69" x 2.94" (184 x 119 x 74 mm)
- Tilt:** +/-15°
- Pivot:** 180° (depends on equipment size)
- Color:** Black
- Weight Capacity:** 40 lbs (18.2kg)
- VESA Compatibility:** All standard interface sizes



11103

Large LCD/Plasma Mount

Heavy-Duty construction provides a rock-solid mounting solution for monitors up to 65" in width and/or 200 pounds in weight.

- Overall Dimensions:** (H x W x D): 18.38" x 26" x 1.52" (467 x 660 x 39 mm)
- Pitch:** Control from 0-15 °
- Mounts to:** 16", 20" & 24" on-center supports
- Compatibility:** Winsted will provide the proper mount based on model number
- Color:** Black
- Weight Capacity:** 200 lbs. (90.71 kg)



1-1/2" x 1-1/2"

1-1/2" x 3"

Exterior Frame and Interior Supports

The exterior frames (1-1/2" x 3") and interior supports (1-1/2" x 1-1/2") are constructed of extruded 6105-T5 aluminum with "T"-Slots. T-Slotted technology is easy to construct with simple hand tools. It is also light-weight, aesthetically pleasing, and easy to reconfigure for future needs. The black anodized finish is attractive and smooth to the touch.

- Yield strength:** 35,000 lbs./sq. in. minimum
- Tensile strength:** 38,000 lbs./sq. in. minimum
- Rockwell hardness:** approximately E-88
- DIN Specifications:** Extrusion conforming to DIN 17 615
- Twist per foot:** not to exceed .25 degree and total twist over 20 feet not to exceed 1.5 degrees
- Flatness:** .004 per inch of width
- Straightness:** 0.0125" per foot of length, not to exceed .120" over 20 feet of length

Cable Management and Power Strips

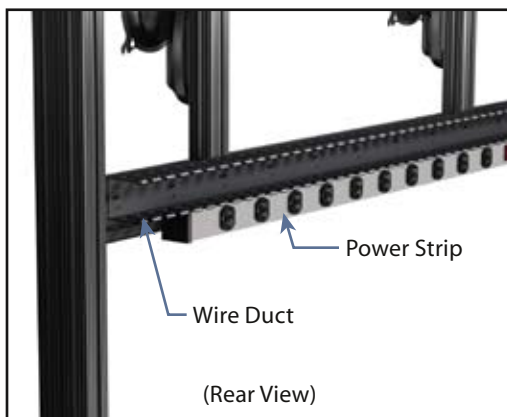
Winsted offers many options for proper cable management. Wire ducts can be mounted vertically and/or horizontally. Ducts come with solid walls or scored walls for easy breakout. Power strips are available with ten, eleven, or twenty outlets.

Power Strips

Model	Description	Length
10710	10 Outlet - 15 Amp	34"
10712	10 Outlet - 15 Amp	68"
10713	20 Outlet - 15 Amp	68"
10684	11 Outlet - 20 Amp	68"

Wiring Ducts

Model	Description
42750	4"H x 2"W x 72" L (102 x 51 x 1829mm) Scored Walls
42757	2"H x 2"W x 72" L (51 x 51 x 1829mm) Scored Walls
42756	1-1/2"H x 1-1/2"W x 72" L (38 x 38 x 1829mm) Solid Walls



Wire Duct

Power Strip

(Rear View)