

PRESTIGE **SIGHT-LINE** **CONSOLES**

Sight-Line consoles allow flexibility and expandability in console configurations to fit any space requirement, user need or budget. In today's demanding control rooms, monitor viewing angles and operator sight lines are critical to long-term success. To address this issue, Sight-Line consoles feature our new integrated Versa-Trak monitor array system, which offers the ultimate in adjustability. The Versa-Trak system permits users to optimize, and easily modify, sight lines and viewing angles based on personal needs. Sight-Line is a beautiful console with a feature-set second to none.



800.447.2257
Fax: 800.421.3839

Web: winsted.com
Email: info@winsted.com

Winsted
Control Room Consoles

Product Features and Highlights

3 Base Console Widths

Base consoles are available in three widths: 24", 48", and 72". Features the Insta-Lock fastening system for simple construction. Black powder-coat finish.

Corner Fillers

Corner fillers help fit consoles into rooms, and deliver a convenient, ergonomic wrap-around operator console. Choose from 15°, 45°, and 90° concave corner options or 15° and 45° convex corner options. Black powder-coat finish.

Dual Cable Raceway

Enhance reliability while protecting and managing your cables with this large, dual cable raceway, which allows you to separate signal and power cords.

Multi-Purpose Locking Doors

Double-panel doors are extra-sturdy to support a CPU shelf or file/storage bin for convenient swing-out access.

Anti-Tip Extension

Extensions stabilize the console on all in-line console configurations. Anti-tip extensions come standard with all end frames. Black powder-coat finish.

Data/Power Access

Openings for a universal data mounting plate (RJ-45, HDMI, CAT-5, CAT-5E, CAT-6, BNC, and S-Video) and/or duplex power are conveniently located at the back of the work surface.

Beveled TruForm Work Surface

Work surfaces are manufactured with a 1-1/8" (29mm) thick medium-density core and a beveled front-edge for operator comfort. TruForm work surfaces are available in eight colors. Work surfaces can also be custom ordered in laminate or solid-surface materials.

Decorative TruForm End Panels

Complete the look of your console with our popular TruForm end panels. TruForm panels are available in eight colors. End panels can also be custom ordered in laminate or solid-surface materials.

Rack Mount Turret

Optional rack mount turret can be positioned to meet your needs. Available in either 10-1/2" (6U) or 7" (4U) of 19" EIA rack space and features a vented top. Wood trim available for 10-1/2" (6U) turret.

Versa-Trak Mounting System

Integrated horizontal aluminum track system supports a wide variety of monitor arrays. Track enables easy horizontal adjustment and the post-mounted VESA brackets provide the ability to tilt and pivot monitors.

Pole Monitor Mount

VESA-compliant pivot/tilt mount easily attaches monitors to a pole, and provides smooth pivot and pitch adjustment for optimal viewing of small flat panel monitors.

3 Monitor Mount Post Heights

Available in three different heights: 15", 28-1/2", and 42" so you can create a monitor array suitable for any application.

Double & Triple Monitor Bows

Ideal solution for horizontally mounting two small flat panel screens. Pivot/tilt mechanism provides smooth range of motion for hassle free, fingertip positioning of each monitor. VESA-compliant with built-in cable management.

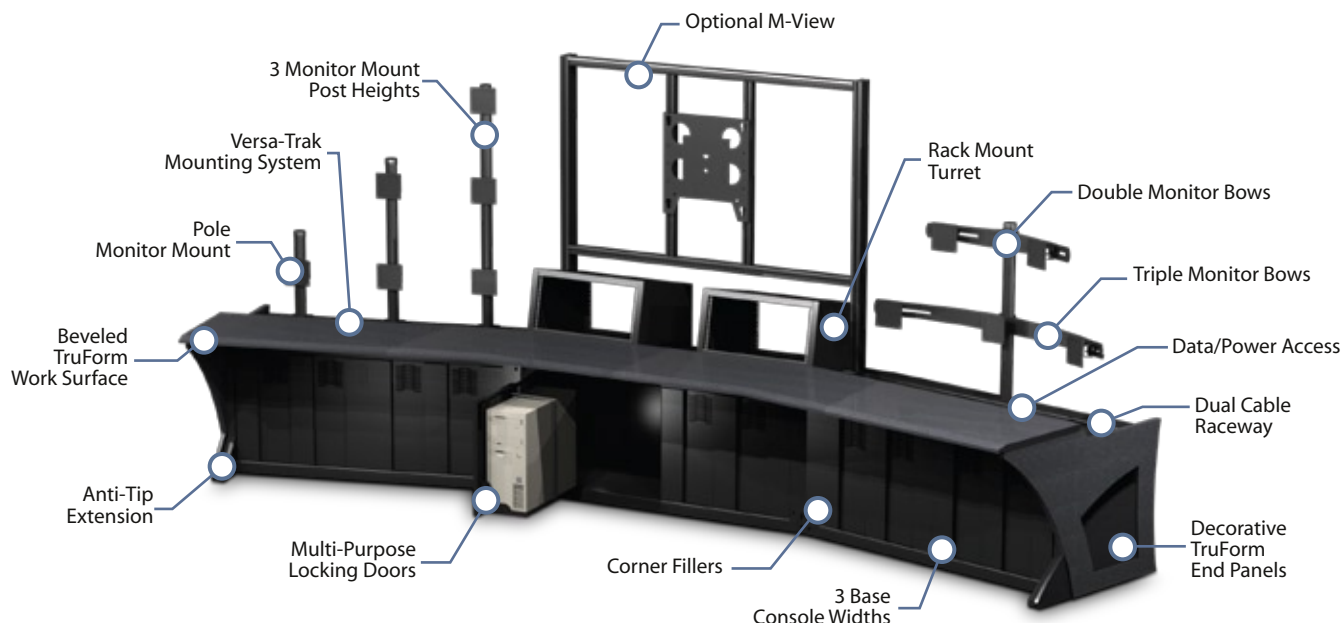
Optional M-View

Sight-Line consoles work in tandem with our M-View monitor wall system to support large plasmas and/or LCD monitors over rack mount turrets.

TEL 1.800.447.2257

WEB winsted.com

EMAIL info@winsted.com





PROCESS CONTROL

Sight-Line consoles with pole-mount LCD monitors provide unique process control room environments. Expansive desktop work surfaces and adjustable monitor sight lines help optimize operator comfort and productivity.

TEL 1.800.447.2257

WEB winsted.com

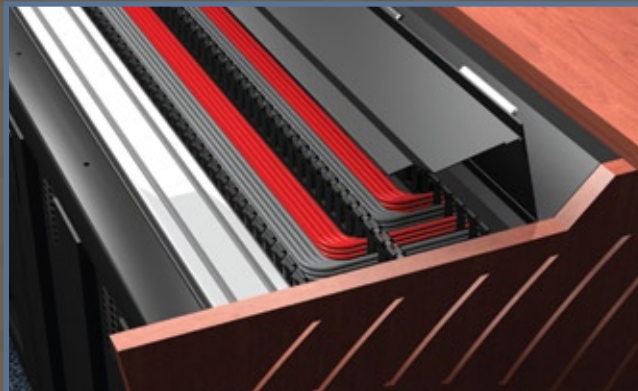
EMAIL info@winsted.com





VERSA-TRAK

Integrated aluminum track system will support a wide variety of monitor arrays or M-View framework.



DUAL CABLE RACEWAY

Enhance reliability while protecting and managing your cables with **Sight-Line's** large dual cable raceway.



DATA/POWER ACCESS

Openings for a universal data mounting plate and duplex power are conveniently located behind the work surface. Wiring not included.



MULTI-PURPOSE DOORS

Double-panel doors are extra sturdy to support a CPU shelf or file/storage bin for convenient swing-out access. Same door, front or back of console.

Let Winsted design a console for you. winsted.com/designservice



SECURITY CONSOLE

Sight-Line consoles are designed for seamless integration into your command and control environment. Flexible design options and customizable accessories provide a technical furniture infrastructure that enhances workflow & maximizes operator effectiveness.

Sight-Line Consoles



W5720

Compact Sight-Line Console						
Model	Height	Width	Depth	Color	Accent Color	Wt.
W5720	28-1/2" (724mm)	54" (1372mm)	43-3/4" (1111mm)	Black	Shark Grey	400 lbs.
48" Sight-Line Console with plasma mount and dual LCD monitor arms.						



W5721

Single Operator Sight-Line Console						
Model	Height	Width	Depth	Color	Accent Color	Wt.
W5721	28-1/2" (724mm)	78" (1981mm)	43-3/4" (1111mm)	Black	Shark Grey	553 lbs.
Sight-Line console comes complete with four monitor mounts.						



W5722

Sight-Line Corner Console						
Model	Height	Width	Depth	Color	Accent Color	Wt.
W5722	28-1/2" (724mm)	128" (3251mm)	57-1/4" (1454mm)	Black	Shark Grey	864 lbs.
Corner design wraps around operator for maximum comfort. Console includes 7 monitor poles.						



W9901

Sight-Line Console with M-View						
Model	Height	Width	Depth	Color	Accent Color	Wt.
W9901	40-1/2" (1029mm)	169-1/2" (4305mm)	49-1/8" (1248mm)	Black	Shark Grey	1440 lbs.
Dual-operator console features rack turrets, custom M-View monitor wall, and 6 monitor poles.						

Sight-Line Corner Console with Credenza

Model	Height	Width	Depth	Color	Accent Color	Wt.
W5701	28-1/2" (724mm)	167-1/2" (4255mm)	80-1/2" (2045mm)	Black	American Natural	1335 lbs.

Corner design allows ample room for three operators. Console includes Radius Credenza and 3 Dual Mount LCD poles.



W5701

Concave Sight-Line Console

Model	Height	Width	Depth	Color	Accent Color	Wt.
W5702	28-1/2" (724mm)	162-3/4" (4134mm)	59-1/2" (1511mm)	Black	Russian Maple	1225 lbs.

15° corners create an ergonomic wrap-a-round console. Console includes 5 monitor poles.



W5702

Sight-Line Console with Peninsula

Model	Height	Width	Depth	Color	Accent Color	Wt.
W5703	40-1/2" (1029mm)	210-3/4" (5353mm)	107-3/4" (2737mm)	Black	Cherry	2025 lbs.

Curved dual-operator console features a center peninsula with extra rack space. Console includes M-View frame and 4 monitor poles.



W5703

Master Control Sight-Line Console

Model	Height	Width	Depth	Color	Accent Color	Wt.
W5704	40-1/2" (1029mm)	156" (3962mm)	43-3/4" (1111mm)	Black	Cherry	1400 lbs.

Master control console comes complete with integrated M-View monitor wall. Also includes 4 rack mount cabinets with accent trim.



W5704

Sight-Line Components

Design Your Own Sight-Line Console



Step 1 Starter Chase

Step 2 Add-On Chases

Step 3 Corners (If needed)

Step 4 Monitor Mounts

Designing your own Sight-Line console is easy. Simply follow the four steps outlined above, then personalize your console with accessories shown on the following pages (12-13). Or contact Winsted and we will be happy to design a console for you.



W5602



W5612



W5623



W5635

Sight-Line Starter Chase (Step 1)

Model	Description	Wt.
W5602	24" Sight-Line starter chase	230 lbs.
W5604	48" Sight-Line starter chase	315 lbs.
W5606	72" Sight-Line starter chase	440 lbs.

Sight-Line starter chases come complete with steel frame, decorative end panels, work surface, internal bottom shelf, front and rear vented doors, cable management with hinged cover, and Winsted's exclusive Versa-Trak monitor mounting rail. Work surface and end panels are shown in standard Shark Grey. Other colors are available. Contact Winsted for details.

Sight-Line Add-On Chase (Step 2)

Model	Description	Wt.
W5612	24" Sight-Line add-on chase	152 lbs.
W5614	48" Sight-Line add-on chase	237 lbs.
W5616	72" Sight-Line add-on chase	362 lbs.

Sight-Line add-on chases come complete with steel frame, work surface, internal bottom shelf, front and rear vented doors, cable management with hinged cover, and Winsted's exclusive Versa-Trak monitor mounting rail. Work surface is shown in standard Shark Grey. Other colors are available. Contact Winsted for details.

Concave & Convex Corners (Step 3)

Model	Description	Wt.
W5621	15° Sight-Line concave corner	30 lbs.
W5623	45° Sight-Line concave corner	41 lbs.
W5625	90° Sight-Line concave corner	56 lbs.
W5634	15° Sight-Line convex (reverse) corner	37 lbs.
W5635	45° Sight-Line convex (reverse) corner	50 lbs.

Corners include the intermediate frame, hinged duct cover, and corner work surface (Not Shown).

Sight-Line Components

Sight-Line Monitor Poles with Mounts (Step 4)

W5671

15" Post - Single Monitor Pole Mount, Vertical



W5672

28-1/2" Post - Dual Monitor Pole Mount, Vertical



W5673

42" Post - Triple Monitor Pole Mount, Vertical



W5674

15" Post - Dual Monitor Pole Mount, Horizontal



W5675

28-1/2" Post - Quad Monitor Pole Mount



W5676

15" Post-Triple Monitor Pole Mount, Horizontal



W5682

28-1/2" Post - Dual Monitor Mount, Horizontal



W5683

42" Post - Dual Monitor Mount, Horizontal



W5684

42" Post - Quad Monitor Mount



W5685

42" Post - Six Monitor Mount



W5686

28-1/2" Post - Triple Monitor Mount, Horizontal



W5687

42" Post - Triple Monitor Mount, Horizontal



W5688

28-1/2" Post - Six Monitor Mount



W5690

Dual-Pole Monitor Mount (Supports 42" - 63" Monitors)



W5691

15" Post with 15" Extension Arm



W5692

28-1/2" Post with 15" Extension Arm



W5693

28-1/2" Post with Dual 15" Extension Arms



A custom M-View monitor wall can be integrated to support your monitors. Contact Winsted for details.



W5704

Pivot/Tilt mounts allow smooth range of motion and easy fingertip positioning of monitors. Poles also feature integrated cable management.

go to winsted.com/quote for pricing

Sight-Line Accessories



56165



56679

10679



W5630 (Left) • W5631 (Right)



56088



56087



W5661



56030

Rack Rails

Model	Description	Wt.
56165	19-1/4" (11U) tapped rack rails (1 Pair)	5 lbs.
Easily mounts in the front and/or rear of the 24" wide Sight-Line chase.		
W5642	19-1/4" (11U) tapped rack rails (2 Pair) with brackets	9 lbs.
Rack mount kit for 48" and 72" Sight-Line chases.		

LED Task Lights

Model	Description	Wt.
56679	LED light with magnetic base and 18" flexible neck	1 lb.
10679	LED light with VESA mount and 18" flexible neck	1 lb.
Features a 6-foot cord and allows users to switch between white or red lights.		

Radial End Credenza

Model	Overall Dimensions	Wt.
W5630 (Left)	28-9/16"H x 23"W x 42"D (725 x 584 x 1067mm)	121 lbs.
W5631 (Right)	28-9/16"H x 23"W x 42"D (725 x 584 x 1067mm)	121 lbs.
Form and function meet as the radial design provides ample storage with a stylish look. Includes work surface top.		

Door Mount CPU Shelf & File Storage Bin

Model	Description	Wt.
56088	File storage bin, door mounted	6 lbs.
56087	CPU shelf, door mounted	6 lbs.
Provides convenient swing-out access to files and/or CPU. *Door is included with starter & add-on chases or sold separately.		

Rack Mount Turrets

Model	Description	Wt.
56030	7" (4U) Rack Turret, 45° Slope	16 lbs.
W5660	7" (4U) Rack Turret with wood trim, 45° Slope	18 lbs.
56032	10-1/2" (6U) Rack Turret, 12° Slope	23 lbs.
W5661	10-1/2" (6U) Rack Turret with wood trim, 12° Slope	25 lbs.
Rack mount turrets easily mount to the chase and keep electronics within reach.		
56981	27" ABS chase filler (Not Shown)	1 lb.
Use with rack turrets to enclose unused chase openings. Can be cut to size.		

Telephone Tray

Model	Overall Dimensions	Wt.
56250	13"H x 8-1/2"W x 6-3/8"D (330 x 216 x 162mm)	4 lbs.

Mounts at the back of the work surface for quick and easy access to a telephone.



56250

Three Drawer File Cabinet - Black

Model	Dimensions	Wt.
10767	27"H x 15"W x 20-7/8"D (686 x 381 x 530mm)	73 lbs.
10769	Leveling Kit (Set of four)	1 lb.

Compact cabinet fits neatly under a work surface for storage of files in the bottom drawer. Top two drawers are 5"H x 12-1/2"W x 16-1/4"D. Bottom drawer is 11"H x 12-1/2"W x 16-1/4"D.



10767

Electrical

Model	Description	Wt.
56264	Single Box with mounting bracket	4 lbs.
56265	Dual Box with mounting bracket	5 lbs.
W5650	Six-Outlet Strip with mounting bracket	3 lbs.

56264 & W5650 brackets mount to intermediate and/or end frames. 56265 mounts to intermediate frame only.



W5650

56264

56265

CPU Holder

Model	Overall Dimensions	Wt.
56220	27-1/2"H x 12-1/2"W x 26"D (699 x 318 x 660mm)	45 lbs.

CPU Holder features an adjustable back and shelf. Inside dimensions are: 24-1/4"H x 9-3/8"W x 25"D (616 x 238 x 635mm). Can be positioned in-line or at the end of the console.

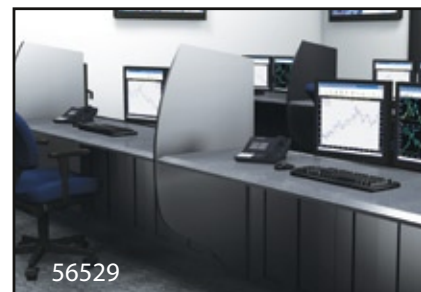


56220

Sight-Line Console Partition

Model	Overall Dimensions	Wt.
56529	48"H x 20-3/4"D x 2-3/4"W (1219 x 527 x 70mm)	20 lbs.

The Sight-Line partition helps create a private work space. Constructed of 3/4" black melamine with PVC edging.



56529

Winsted® *-Your Way*

winsted.com • info@winsted.com



winsted.com/wels • winsted.com/quote



free
design!service

For the Winsted Dealer Nearest You | Call 1-800-447-2257 Or Fax 1-800-421-3839

Winsted World Headquarters

10901 Hampshire Avenue South
Minneapolis, MN USA 55438-2385
Tel: 1-800-447-2257 or 952-944-9050
Fax: 1-800-421-3839 or 952-944-1546
info@winsted.com
winsted.com

Winsted Technical Interiors

1750 Breckinridge Pkwy, Suite 100
Duluth, GA USA 30096-7576
Tel: 1-800-237-5606 or 770-840-0880
Fax: 770-840-9685
custom@winsted.com
winsted.com

Winsted Limited

Units 7-8, Lovett Road
Hampton Lovett Industrial Estate
Droitwich, Worcester, England WR9 0QG
Tel: 44 (0) 1905 770276
Fax: 44 (0) 1905 779791
info@winsted.co.uk
winsted.com