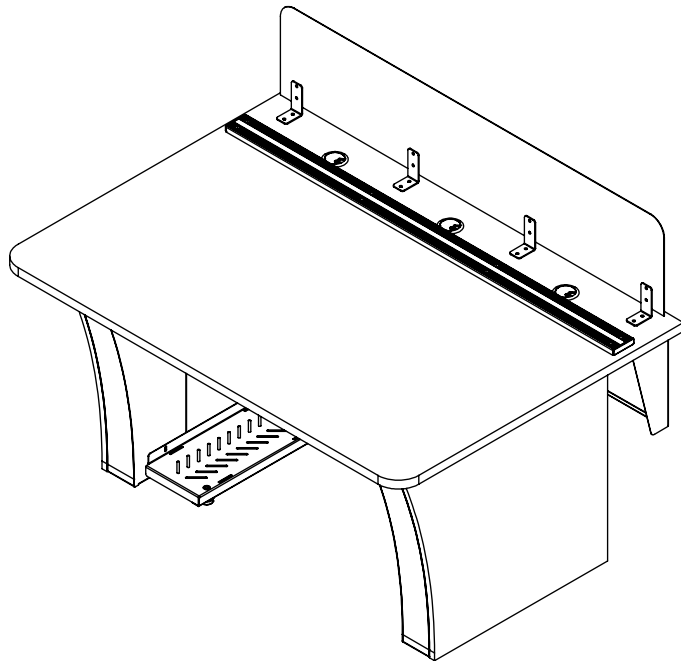


SYSTEM DESCRIPTION

SYSTEM CAPABLE OF SUPPORTING SPECIFIED ELECTRONICS.
 PRE-ENGINEERED MODULAR CONSTRUCTION.
 SUPPLIED KNOCKED-DOWN; ASSEMBLY ACCOMPLISHED WITHOUT NEED FOR WELDING OR MODIFICATIONS.
 CONSTRUCTED OF STEEL SUPERSTRUCTURE FRAMEWORK CONSISTING OF END FRAMES CONNECTED BY HORIZONTAL
 MODESTY PANEL (STEEL SHEET INCORPORATING EASY-ACCESS CABLE RACEWAY).
 TWO 1.5X3IN CABLE MANAGEMENT RACEWAYS PER WORK SURFACE, INTEGRATED CABLE CHANNEL IN BASE.
 QUICK-RELEASE LIFT-OFF ACCESS PANELS LOCATED ON INSIDE OF EACH END FRAME.
 COMPRISED OF STEEL END FRAMES.
 WORK SURFACES WITH INTEGRATED BLACK ANODIZED ALUMINUM VERSA-TRAK MOUNTING SYSTEM FOR LCD MONITOR
 ARRAYS.
 WORK SURFACE HEIGHT ADJUSTMENT FROM 30IN THROUGH LEVELING FEET.
 CONVERTIBLE FROM STATIONARY TO SIT-STAND POST INSTALLATION.



FRAME	<input checked="" type="checkbox"/> 36160	VUE-L 59"				
BASE	<input checked="" type="checkbox"/> OPEN	<input type="checkbox"/> CLOSED	<input type="checkbox"/> HEIGHT ADJUSTABLE	<input checked="" type="checkbox"/> STATIONARY		
FINISH	<input checked="" type="checkbox"/> BLACK POWDER COAT					
WORK SURFACE	<input checked="" type="checkbox"/> SINGLE	<input type="checkbox"/> DUAL				
	<input type="checkbox"/> 1-1/8" LAM	<input type="checkbox"/> 1-1/8" CE	<input type="checkbox"/> 1-1/8" TF	<input type="checkbox"/> 5/8" CL		
	<input type="checkbox"/> BLACK	<input type="checkbox"/> WHITE	<input type="checkbox"/> GRAY	<input type="checkbox"/> MAPLE	<input type="checkbox"/> WALNUT	<input type="checkbox"/> OTHER
VERTICAL PANEL	<input type="checkbox"/> 3/4" LAM	<input type="checkbox"/> 3/4" TF				
	<input type="checkbox"/> BLACK	<input type="checkbox"/> WHITE	<input type="checkbox"/> GRAY	<input type="checkbox"/> MAPLE	<input type="checkbox"/> WALNUT	<input type="checkbox"/> OTHER
POWER COMPATIBILITY	<input type="checkbox"/> 110v	<input type="checkbox"/> 240v				
PRIVACY PANEL	<input type="checkbox"/> PERFORATED	<input type="checkbox"/> ACOUSTICAL LIGHTING				
CONTROL INTERFACE	<input type="checkbox"/> ANALOG	<input type="checkbox"/> SYNERGY				
FEATURES	<input checked="" type="checkbox"/> CPU SHELF	<input checked="" type="checkbox"/> VERSA-TRAK	<input checked="" type="checkbox"/> 11U BASE RACK CABINET			
	<input checked="" type="checkbox"/> LAMINATE	<input checked="" type="checkbox"/> STEEL DOORS	<input checked="" type="checkbox"/> LOCKABLE			
DOORS						

WARRANTY

LIMITED LIFETIME WARRANTY ON ALL FIXED STEEL STRUCTURE FRAME COMPONENTS
 10-YEAR WARRANTY ON ADJUSTABLE, SLIDING, OR HINGES COMPONENTS
 10-YEAR WARRANTY ON LAMINATED SURFACES
 5-YEAR WARRANTY ON POWER ACTUATED LIFT MECHANISMS
 2-YEAR WARRANTY ON GENERAL ELECTRICAL COMPONENTS



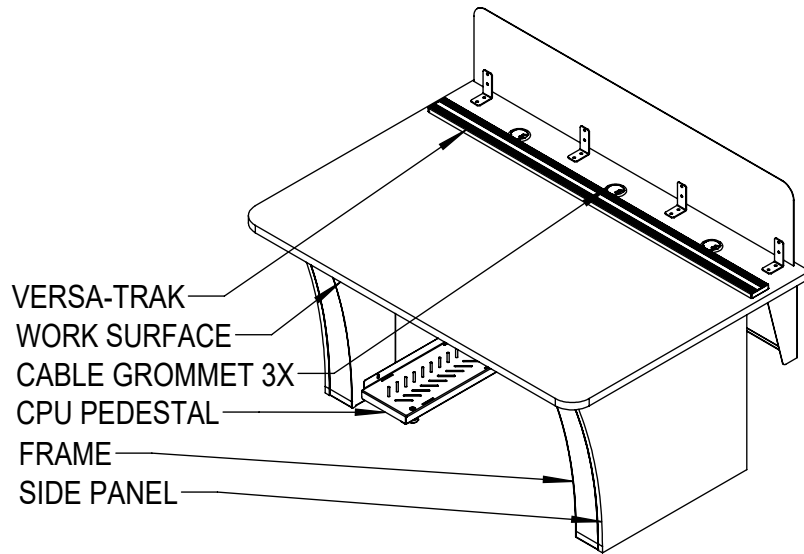
36110 Vue-L 59" Open Base Stationary

SCALE - NTS

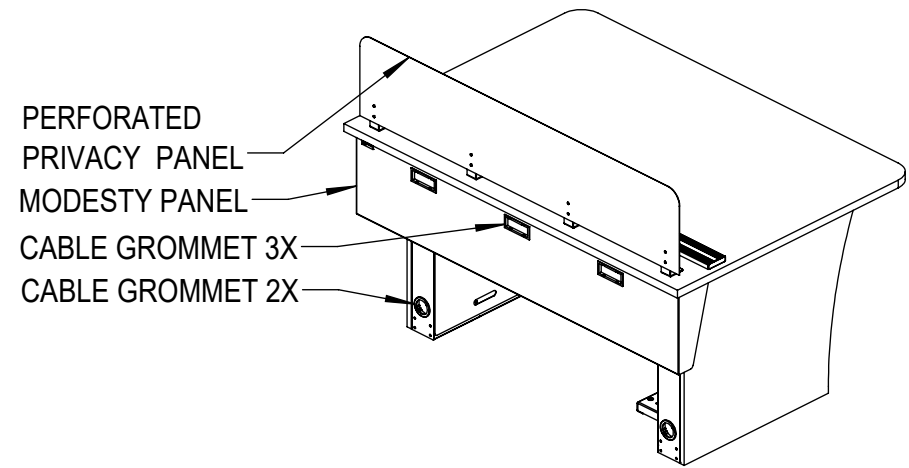
The copyright of this drawing and design is vested solely in the Winsted Corporation. Reproduction of the document, in whole or in part, is prohibited other than with the express permission of the above company.

Sheet

1 / 4



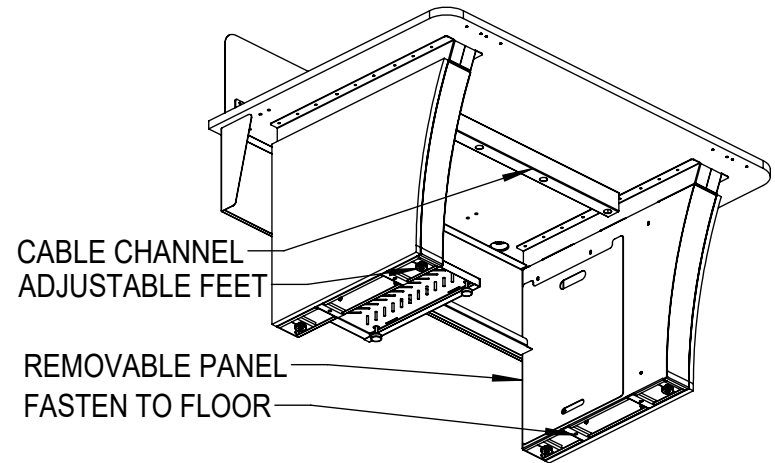
① Vue-L 59" Open Base Stationary ISO-Front



② Vue-L 59" Open Base Stationary ISO-Back

NOTES:

- WORK SURFACES AVAILABLE IN:
 - 1-1/8" LAMINATE (LAM), COMFORT EDGE (CE), TRUFORM (TF)
 - 5/8" COMPACT LAMINATE (CL)
- VERTICAL PANELS AVAILABLE IN:
 - 3/4" LAMINATE (LAM)
 - 3/4" TRUFORM (TF)
- APPLIES TO ALL SURFACES:
 - LAMINATE FACE COLORS: BLACK, WHITE, GRAY, MAPLE & WALNUT
 - GRAIN FINISH RECOMENDED FOR VERTICAL SURFACES ONLY
- EDGE CONDITIONS (SECTION SHOWN ON SHEET 3, DETAIL 6)
 - WORK SURFACES
 - LAM: SAFEGUARD (T-MOLDED POLYETHYLENE PVC)
 - CE: COMFORT EDGE (URETHANE MOLDED SHAPED EDGE)
 - TF: TRUFORM (THERMOFOIL FORMED TO SURFACE AND EDGE)
 - CL: MACHINE-SHAPED EXPOSED PHENOLIC RESIN CORE
 - VERTICAL PANELS
 - LAM/CE: PVC EDGE-BANDING BLACK OR MATCH SURFACE COLOR
 - TF: THERMOFOIL FORMED TO SURFACE AND EDGE



③ Vue-L 59" Open Base Stationary ISO-Bottom



36110 Vue-L 59" Open Base Stationary

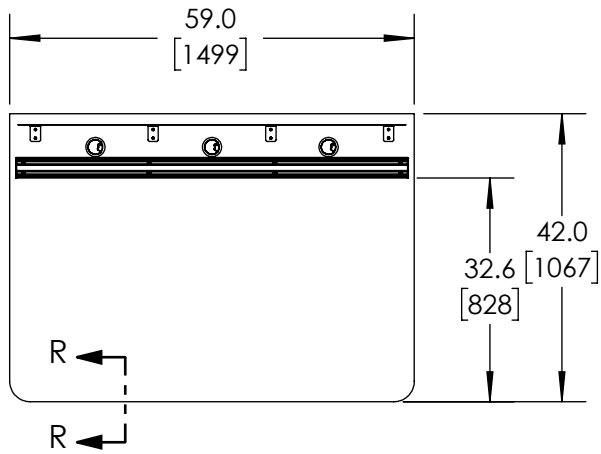
SCALE - NTS

SIDE PANEL

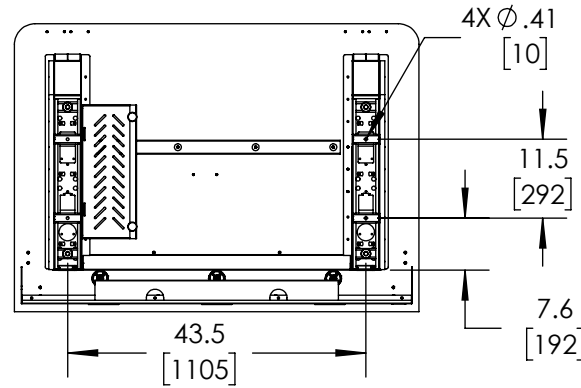
The copyright of this drawing and design is vested solely in the Winsted Corporation. Reproduction of the document, in whole or in part, is prohibited other than with the express permission of the above company.

Sheet

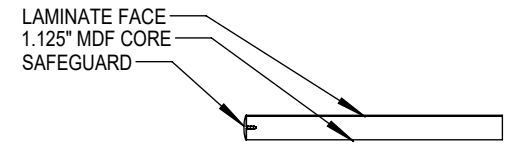
2 / 4



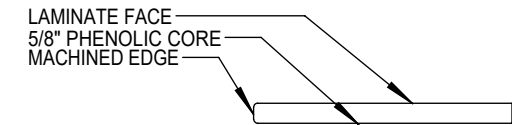
1 Vue-L 59" Open Base Stationary Top



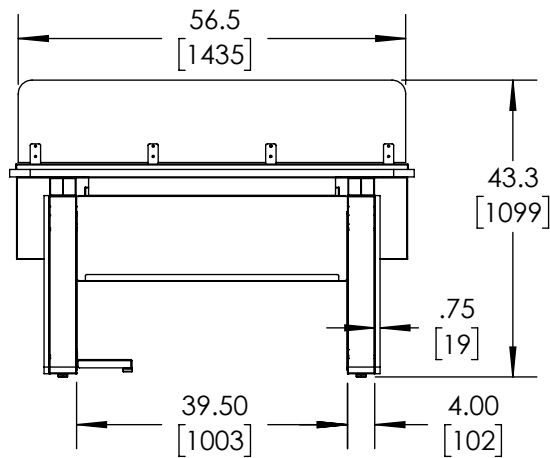
2 Vue-L 59" Open Base Stationary Bottom



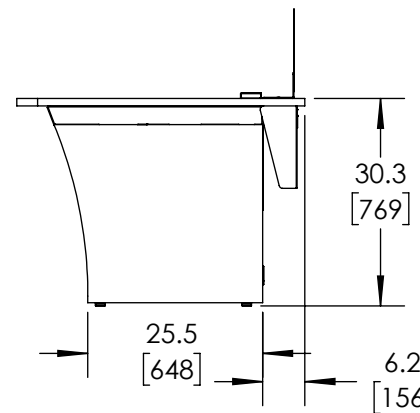
6 Section R-R - Edge Types Typical



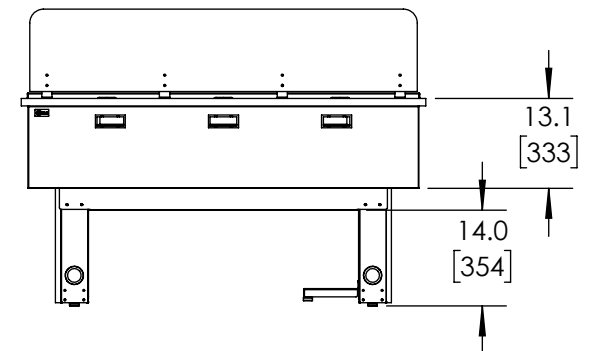
6 Section R-R - Edge Types Typical



3 Vue-L 59" Open Base Stationary Front



4 Vue-L 59" Open Base Stationary Side



5 Vue-L 59" Open Base Stationary Back



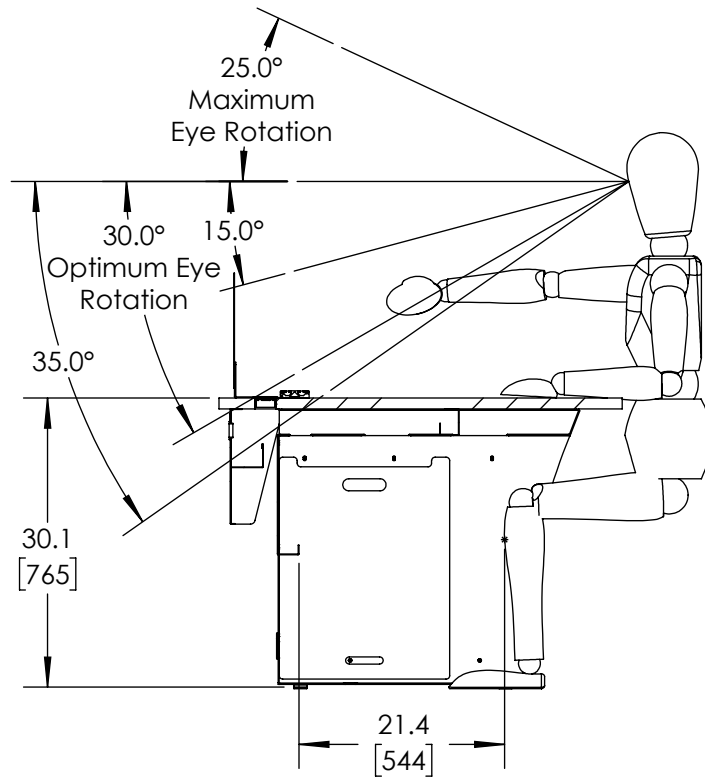
36110 Vue-L 59" Open Base Stationary

SCALE - NTS

The copyright of this drawing and design is vested solely in the Winsted Corporation. Reproduction of the document, in whole or in part, is prohibited other than with the express permission of the above company.

Sheet

3/4



① Vue-L 59" Open Base Stationary Ergonomic Detail



36110 Vue-L 59" Open Base Stationary Ergonomic Details

SCALE - NTS

The copyright of this drawing and design is vested solely in the Winsted Corporation. Reproduction of the document, in whole or in part, is prohibited other than with the express permission of the above company.

Sheet

4 / 4